



**STRONG PARTNERS.
TOUGH TRUCKS.™**



HIGH CAPACITY FORKLIFT TRUCKS

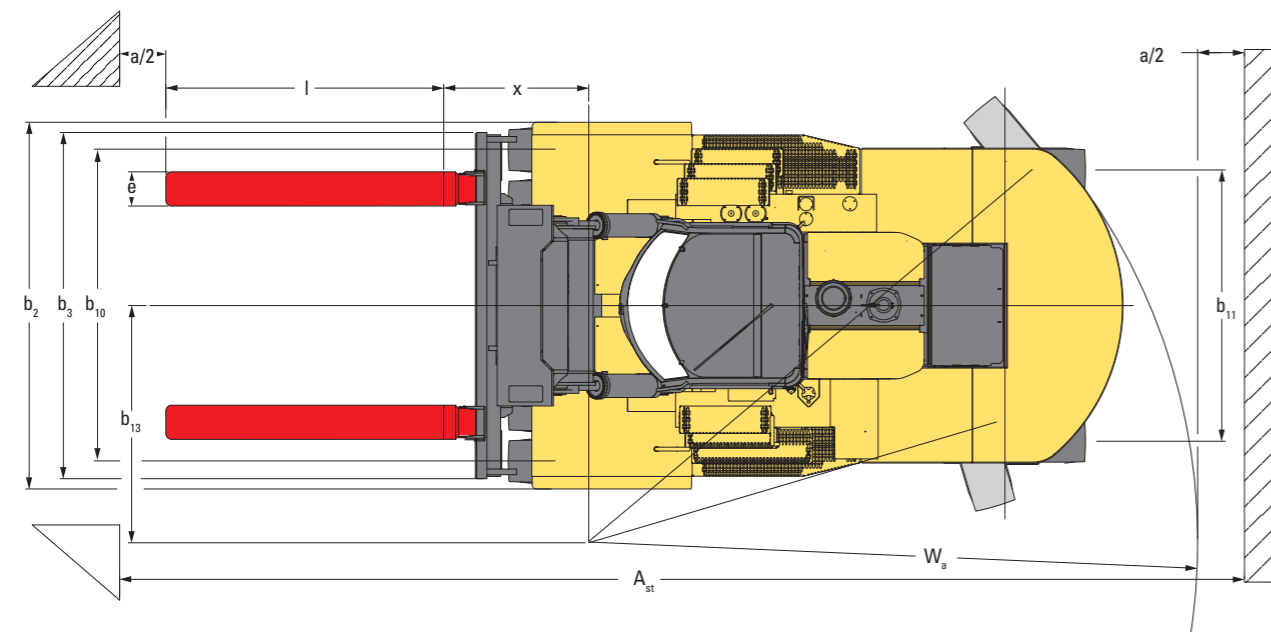
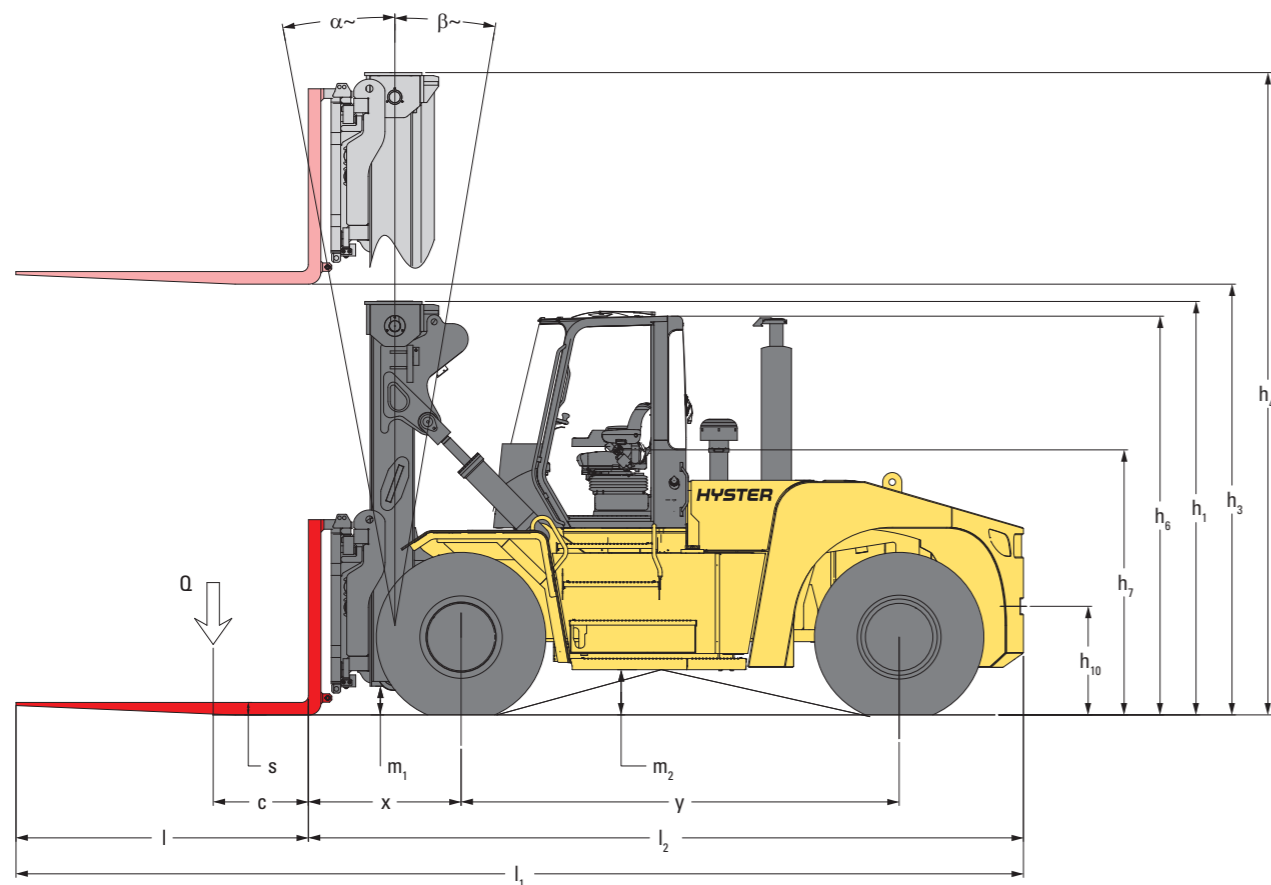
**H25XMS-9, H30XMS-9, H32XMS-9
25.000 – 32.000 kg @ 900 mm**

**H25XM-12, H28XM-12, H30XM-12, H32XM-12
25.000 – 32.000 kg @ 1200 mm**



TRUCK DIMENSIONS

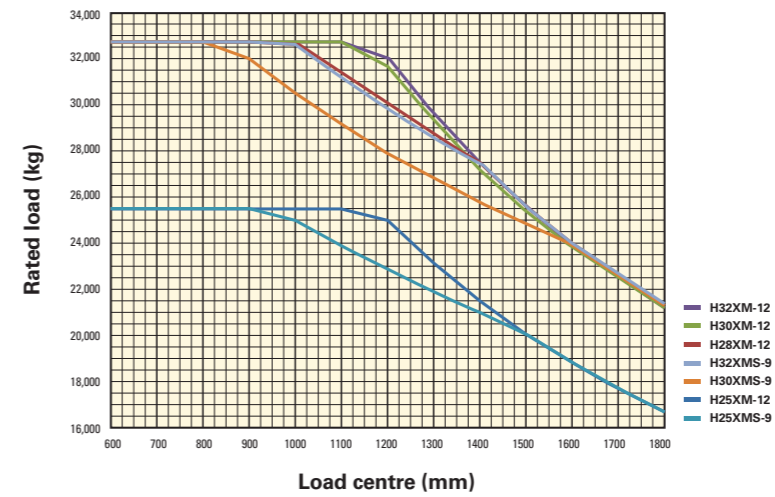
FORK LIFT TRUCKS



- = Centre of gravity of unladen truck
- $A_{ST} = W_s + x + l_6 + a$ (IF $b_{12}/2 < b_{13}$)
- $A_{ST} = W_s + (l_6 - x)^2 + (b_{12} - b_{13})^2 + a$ (IF $b_{12}/2 > b_{13}$)
- a = Minimum operating clearance = 10% of A_{ST}
(VDI standard = 200 mm, BITA recommendation = 300 mm)
- l_6 = Load length
- b_{12} = Load width

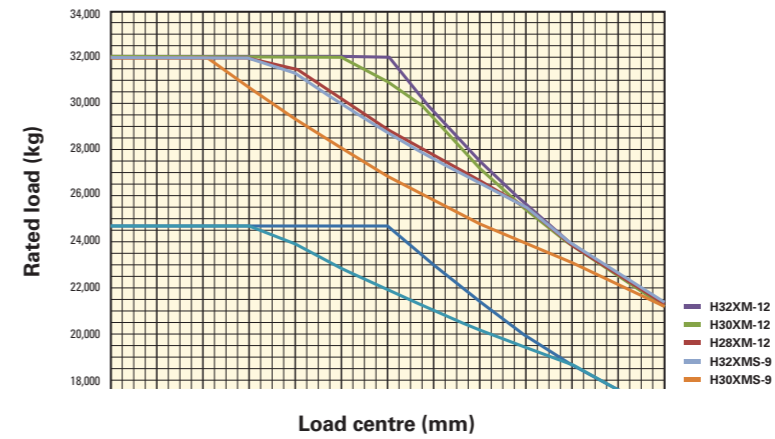
CAPACITY RATINGS

STANDARD PIN TYPE CARRIAGE



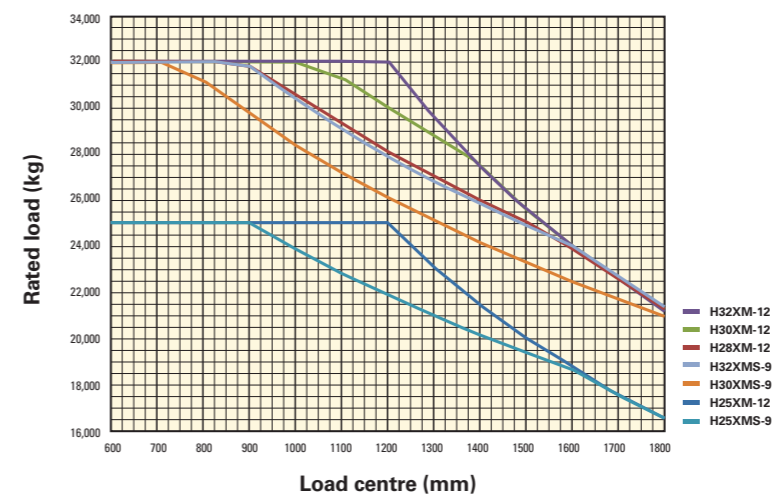
Load centre: Distance from front of forks to centre of gravity of load.
Rated Load: Based on 2 stage NFL mast 6095 mm lift height Standard pin type carriage with 105 x 280 x 2440 forks on H25XM models and 105 x 300 x 2440 forks on H28-32XM models.

SIDESHIFT PIN TYPE CARRIAGE



Load centre: Distance from front of forks to centre of gravity of load.
Rated Load: Based on 2 stage NFL mast 6095 mm lift height Sideshift pin type carriage with 105 x 280 x 2440 forks on H25XM models and 105 x 300 x 2440 forks on H28-32XM models.

DF-SS-FP CARRIAGE



Load centre: Distance from front of forks to centre of gravity of load.
Rated Load: Based on 2 stage NFL mast 6095 mm lift height DF-SS-FP carriage with 105 x 280 x 2440 forks on H25XM models and 105 x 300 x 2440 forks on H28-32XM models.

EQUIPMENT AND WEIGHT FORK LIFT TRUCKS:

- Weights (line 2.1) are based on the following specifications: Complete truck with Pneumatic tyres, 4265 mm BOF (4370 mm TOF) 2-Stage Vista Mast, Dual-function Sideshift-forkpositioners carriage and Hook-type forks 2440 mm long.

NOTES:

Specifications are affected by the condition of the vehicle and how it is equipped, as well as the nature and condition of the operating area. Inform your dealer of the nature and condition of the intended operating area when purchasing your Hyster Truck.

- Unladen with new tyres
- ⊥ Bottom of forks
- Full suspension seat in depressed position
- ≡ Length without carriage / spreader
- ‡ Forks in alternative position
- ⊙ Distance centre truck to centre of internal turning radius
- * at 1.6 km/h.
- ✖ at stall.
- † Gradeability figures are provided for comparison of tractive performance, but are not intended to endorse the operation of vehicle on the stated inclines. Follow instructions in the operating manual regarding operation on inclines.
- * Measured according to the test cycles and based on the weighting values contained in EN12053.

NOTICE:

Care must be exercised when handling elevated loads. When the carriage and/or load is elevated, truck stability is reduced. It is important that the mast tilt in either direction is kept to a minimum when loads are elevated.

Operators must be trained and must read, understand and follow the instructions contained in the Operating Manual.

All values are nominal values and they are subject to tolerances. For further information, please contact the manufacturer.

Hyster products are subject to change without notice.

Lift trucks illustrated may feature optional equipment. Values may vary with alternative configurations.

CE Safety: This truck conforms to the current EU requirements.

POWERTRAINS

| DESCRIPTION | |
|-------------|--|
| 1.1 | Manufacturer (abbreviation) |
| 1.2 | Manufacturer's type designation |
| 1.3 | Drive: electric (battery or mains), diesel, petrol, fuel gas |

| | HYSTER | HYSTER |
|--|--------------------|----------------|
| | H25XMS-9-H25XMS-12 | H28XM-H32XM-12 |
| | Diesel | Diesel |

| POWER UNIT | | |
|------------|---|------------------------|
| 7.1 | Engine manufacturer / type | |
| 7.2 | Engine output according to ISO 1585 | kW / min ⁻¹ |
| 7.2.1 | Max. engine power according to ISO 1585 | kW / min ⁻¹ |
| 7.3 | Rated speed | min ⁻¹ |
| 7.3.1 | Torque at 1/min | Nm / min ⁻¹ |
| 7.4 | Number of cylinders / displacement | (-)/cm ³ |
| 7.5.1 | Fuel consumption according to VDI cycle | l/h |
| 7.5.2 | Alternator | A |
| 7.10 | Battery voltage/nominal capacity | (V)/(Ah) |

| | Cummins QSB 6.7 | | Cummins QSB 6.7 | |
|--|-----------------|-------|-----------------|-------|
| | 194 | 2,200 | 194 | 2,200 |
| | 201 | 2,000 | 201 | 2,000 |
| | 2,000 | | 2,000 | |
| | 990 | 1,500 | 990 | 1,500 |
| | 6 | 6,690 | 6 | 6,690 |
| | On request | | On request | |
| | 120 | | 120 | |
| | 24 | 102 | 24 | 102 |

| DRIVE TRAIN | |
|-------------|--|
| 8.1 | Type of drive unit |
| 8.2 | Transmission manufacturer / type |
| 8.6 | Wheel drive / drive axle manufacturer / type |
| 8.4 | Service brake |
| 8.5 | Parking brake |

| | Torque Converter | Torque Converter |
|--|-------------------------|-------------------------|
| | ZF / 5WG211 | ZF / 5WG211 |
| | Axle Tech / PRLC1794W4H | Axle Tech / PRC3806 W4H |
| | Oil immersed disc | Oil immersed disc |
| | Dry disc on drive axle | Dry disc on drive axle |

FRONT END EQUIPMENT



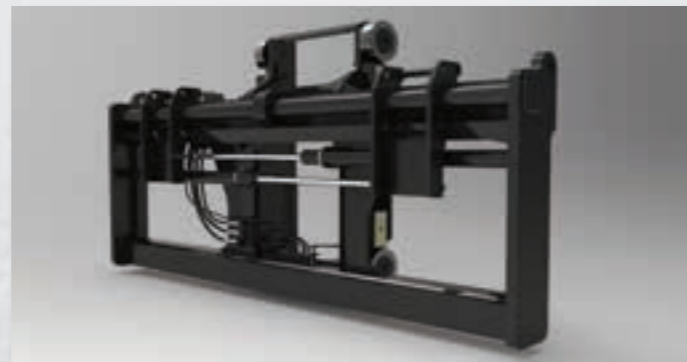
Range of 2 stage NFL masts



Pin Type and Quick Disconnect Hook Type forks



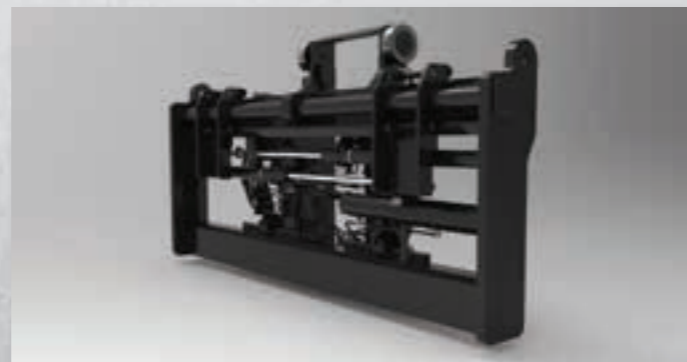
3.100 mm wide Standard Carriage – Pin type forks



3.100 mm wide Carriage with Fork Positioning – Individual Fork Control – Pin type forks

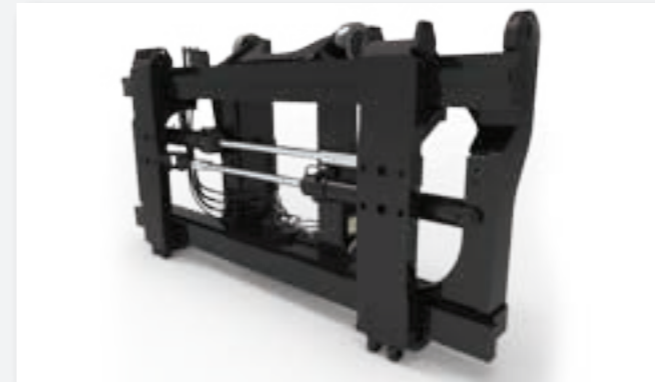


3.100 mm wide Side shift frame carriage – Pin type forks



3.100 mm wide Side shift frame carriage with Fork Positioning – Individual Fork Control – Pin type forks

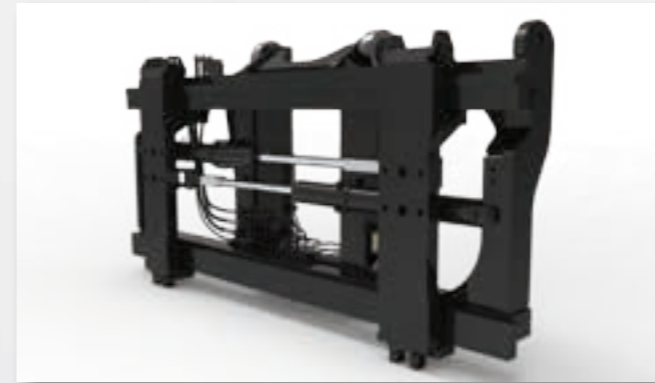
FRONT END EQUIPMENT



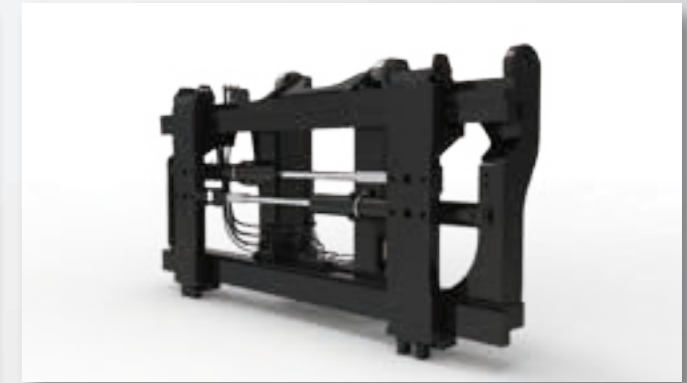
3.040 mm wide hook type mount Dual Function carriage with Side shift and Fork Positioning – Individual Fork Control – Hook type forks



3.040 mm wide hook type mount Dual Function carriage with Side shift and Fork Positioning – Individual Fork Control – Hook type forks



3.200 mm wide Multi Purpose Dual Function carriage with Side shift and Fork Positioning – Individual Fork Control – Hook type forks



3.200 mm wide Multi Purpose Dual Function carriage with Side shift and Fork Positioning – Individual Fork Control – Hook type forks



Mono Mast



Integrated Coil ram carriage



Side shift frame pin type mount Integrated Coil Ram carriage



Coil ram

STANDARD EQUIPMENT

- Cummins QSB 6.7L 194 / max 201 KW @ 2.000 rpm Turbo Diesel Engine
 - Stage IIIA Compliant
 - ECO-eLo / HiP performance modes
 - Hibernate Idle
- ZFWG 211 5 speed forward / 3 speed reverse Automatic Transmission
- 2 stage NFL Mast with maximum fork height of 3655mm with 3794mm overall lowered height (H25XM)
- 2 stage NFL Mast with maximum fork height of 3655mm with 3919mm overall lowered height (H28-32XM)
- 3.040 mm wide hook type mount Dual Function carriage with Side shift and Fork Positioning – Individual Fork Control – Hook type forks (H25XM)
- 3.200 mm wide Multi Purpose Dual Function carriage with Side shift and Fork Positioning – Individual Fork Control – Hook type forks (H28-32XM)
- 280 x 105 x 2.440 mm long hook type forks (H25XM)
- 300 x 105 x 2.440 mm long hook type forks (H28-32XM)
- Oil-immersed Brakes
- Sy-Klone spinner type heavy duty air intake pre-cleaner
- Axle Tech PRC 1794 heavy duty planetary drive axles (H25XM)
- Axle Tech PRC 3806 heavy duty planetary drive axles (H28-32XM)
- Steer axle with hydrostatic power steering
- SAUER-DANFOSS dual piston variable displacement pump 165 ccm (75 + 90 ccm)
- Powertrain protection system for engine and transmission; high temperature or low oil pressure
- On-demand load-sensing hydraulic system featuring VDP technology
- Up to 6-way hydraulic controls with 4 Levers and Switch combination
- CANbus electrical control system for engine, transmission and hydraulics
- 14.00 - 24 28PR bias ply treaded load pneumatic drive and steer tyres (H25XM)
- 16.00 - 25 32PR bias ply treaded PR E4 load pneumatic drive and steer tires (H28-32XM)
- Directional control lever with direction change interlock system
- Mast tilt: 6° forward / 10° back
- Lockable battery disconnect switch
- 120 amp alternator
- Overhead Guard Featuring:
 - Seatside lever and switch hydraulic control
 - Multifunction display panel
 - Interior wide angle mirrors
 - Handrails for operator entry and exit
 - Telescoping and tilting steering column
 - Floor mat
 - Isolated mounting for low noise and vibration
 - Mechanical, Full Suspension Vinyl or Cloth Seat with integrated adjustable armrest and orange Hi-Vis seat belt
 - Exterior wide angle mirrors, mounted to handrails
- Operator restraint system
- Operator presence system
- Electronic horn - 105 dB(A)
- Visible alarm / amber strobe light
- Self adjustable back up alarm, volume > 5dB(A) ambient
- 24V electrical system
- Manual Tilt Operator Compartment for Service Access
- Light Kit 1:
 - LED rear cluster with stop, reverse and direction light
 - 2 x Halogen working lights mounted on rear of cab
 - 2 x Halogen drive lights, 2 LED direction / marker lights mounted on front fender
- Steering wheel with spinner knob
- Steer wheel nut protection
- Non-lockable diesel fuel cap
- Literature package:
 - operator's manual
- 12 months / 2,000 hours manufacturer's warranty

OPTIONAL EQUIPMENT

- Masts: various 2-stage NFL masts with various lift heights available
 - Mono mast with maximum lift height of 2.745mm with 5169mm overall lowered height (H25XM)
 - Mono mast with maximum lift height of 2.745mm with 5265mm overall lowered height (H28-32XM)
 - Various side shifting and fork positioning carriages
 - Coil Ram - pin carriage mounted or hook carriage mounted
 - Various hydraulic valve control groups
 - Multifunction joystick control
 - MONOTROL® pedal direction control with direction change interlock system
 - Mast tilt: 15° forward / 10° back
 - Tyres – Drive and Steer
 - 14.00 - 24 Solid (H25XM)
 - 14.00 - R24 MICHELIN XZM radial (H25XM)
 - 14.00 - R24 Trelleborg radial (H25XM)
 - 16.00 - 25 Solid (H28-32XM)
 - 16.00 - R25 MICHELIN XZM radial (H28-32XM)
 - 16.00 - R25 GOODYEAR EV-4S Slick (H28-32XM)
 - Front and rear mud flaps
 - Enclosed Cab with or without Air Conditioning includes:
 - Seat-Side Hydraulic Control Levers
 - Multifunction Display Panel
 - Interior Wide Angle Mirrors
 - Telescoping & Tilting Steering Column
 - Floor Mat
 - 24-12V DC/DC Converter
 - I - style Front screen Wiper
 - H - style Front screen Wiper
 - Heater
 - Cab options
 - Air conditioner, manual controlled
 - Air conditioner, automatically controlled
 - High Performance Air conditioner, manual controlled
 - High Performance Air conditioner, automatically controlled
 - Reading light
 - Top and rear sun shades
 - Trainer seat
 - Recirculation fan
 - IT console for on-board computer
 - Rear locking console
 - Heated top window
 - Engine start interlock
 - Radio preparation, inclusive wire, two speakers and antenna
 - Wire mesh protection guard on top of cab
 - Rain top for OHG
 - Seats
 - Mechanical, Full Suspension High backrest Vinyl or Cloth Seat
 - Pneumatic, Full Suspension Vinyl or Cloth Seat
 - Pneumatic, Full Suspension High backrest Vinyl or Cloth Seat
 - Deluxe Air Suspended Full Suspension Cloth Seat
 - Heated Deluxe Air Suspended Full Suspension Cloth Seat
 - 3-point seat belt for Deluxe Seat
 - Powered Tilt Operator Compartment
 - Air Horn
 - Various Light Kits
 - Various HID (High Intensity Discharge - Xenon) and halogen light kits available
 - Hydraulic accumulator in lift circuit
 - Hydraulic temperature protection
 - Pressure compensated lowering
 - Lifting eye shackles
 - Engine pre-heater 1.500 W / 230 Volt AC
 - NATO Start aid connector (24V)
 - Mast tilt indicator
 - Traction speed limiter
 - Empty seat engine shutdown
 - Lockable diesel fuel cap
 - Automatic greasing system
 - Centralized greasing provision for mast chain sheaves (available on limited masts)
 - Hyster Tracker Wireless Asset Management system
- Other options available through Special Products Engineering Department (SPED). Contact Hyster for details.

STRONG PARTNERS. TOUGH TRUCKS.™

FOR DEMANDING OPERATIONS, EVERYWHERE.

Hyster supplies a complete range of warehouse equipment, IC and electric counterbalanced trucks, container handlers and reach stackers. Hyster is committed to being much more than a lift truck supplier.

Our aim is to offer a complete partnership capable of responding to the full spectrum of material handling issues: Whether you need professional consultancy on your fleet management, fully qualified service support, or reliable parts supply, you can depend on Hyster.

Our network of highly trained dealers provides expert, responsive local support. They can offer cost-effective finance packages and introduce effectively managed maintenance programmes to ensure that you get the best possible value. Our business is dealing with your material handling needs so you can focus on the success of your business today and in the future.



HYSTER EUROPE

Centennial House, Frimley Business Park, Frimley, Surrey, GU16 7SG, England.


Tel: +44 (0) 1276 538500




 www.hyster.eu  infoeurope@hyster.com  [/HysterEurope](https://www.facebook.com/HysterEurope)  [@HysterEurope](https://twitter.com/HysterEurope)  [/HysterEurope](https://www.youtube.com/HysterEurope)  www.hyster-bigtrucks.com

HYSTER-YALE UK LIMITED trading as Hyster Europe. Registered Address: Centennial House, Building 4.5, Frimley Business Park, Frimley, Surrey, GU16 7SG, United Kingdom.

Registered in England and Wales. Company Registration Number: 02636775.

HYSTER,  and FORTENS are registered trademarks in the European Union and certain other jurisdictions.

MONOTROL® is a registered trademark, and DURAMATCH and  are trademarks in the United States and in certain other jurisdictions.

Hyster products are subject to change without notice. Lift trucks illustrated may feature optional equipment.