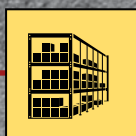




**STRONG PARTNERS.
TOUGH TRUCKS.™**

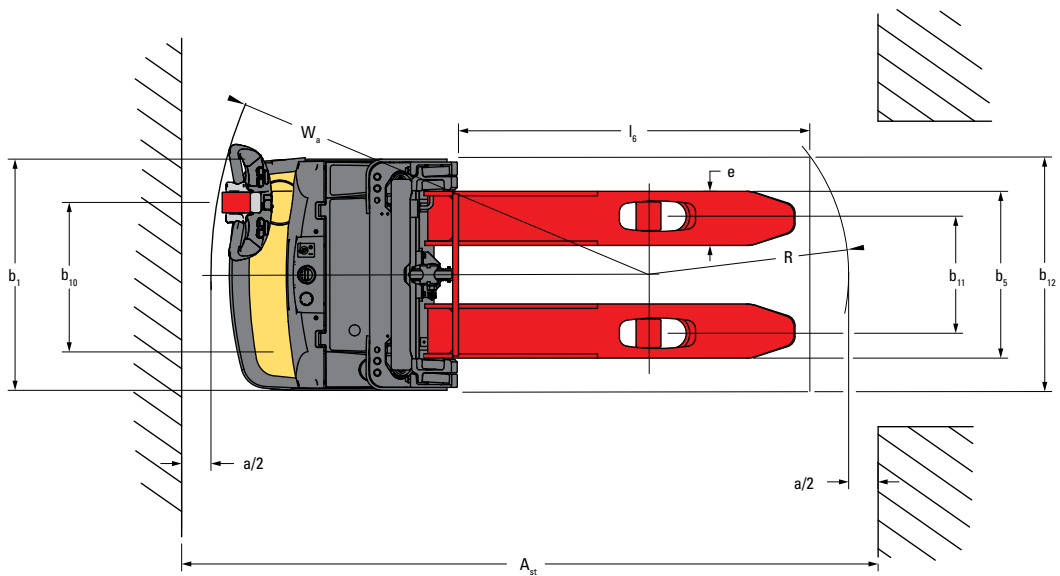
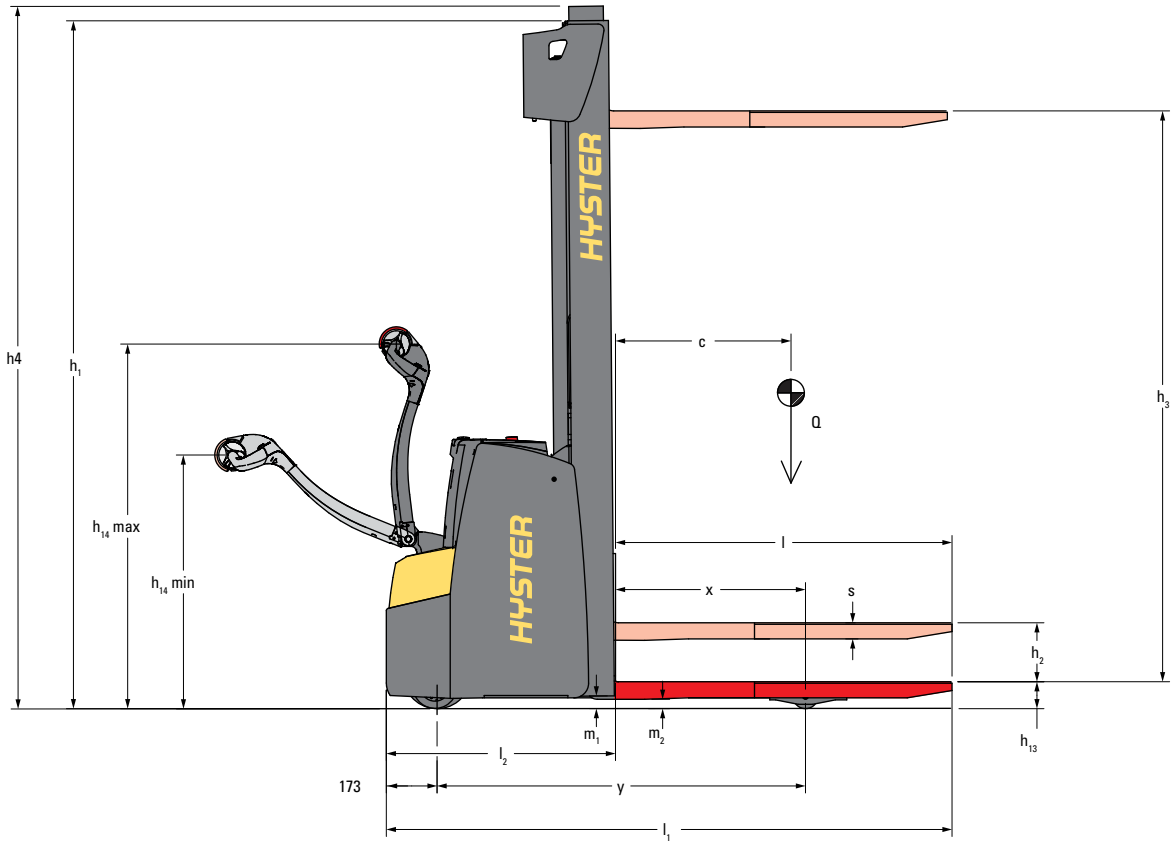


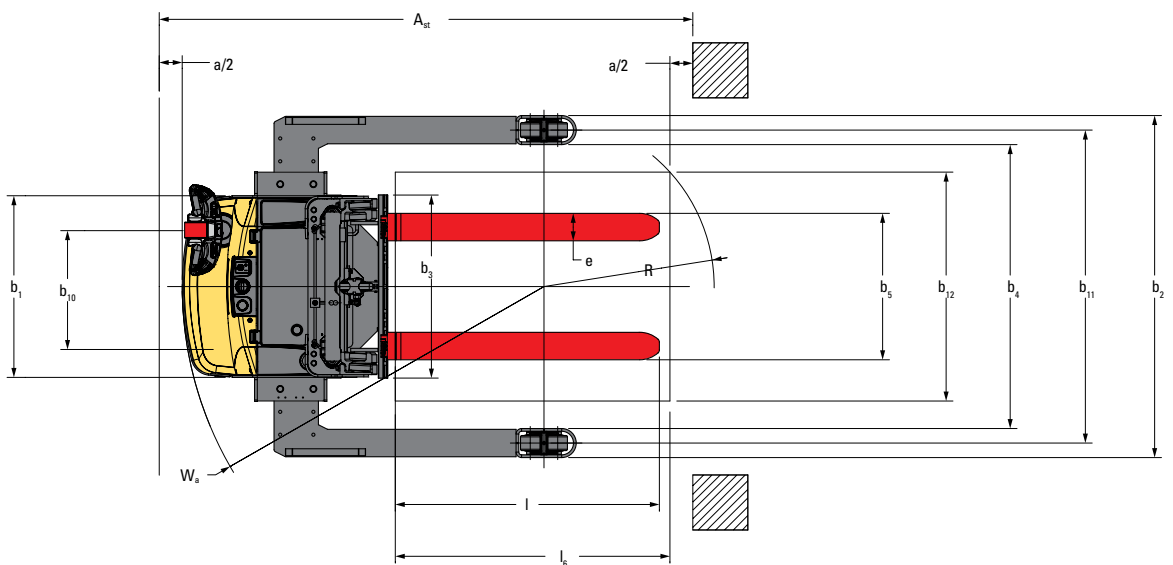
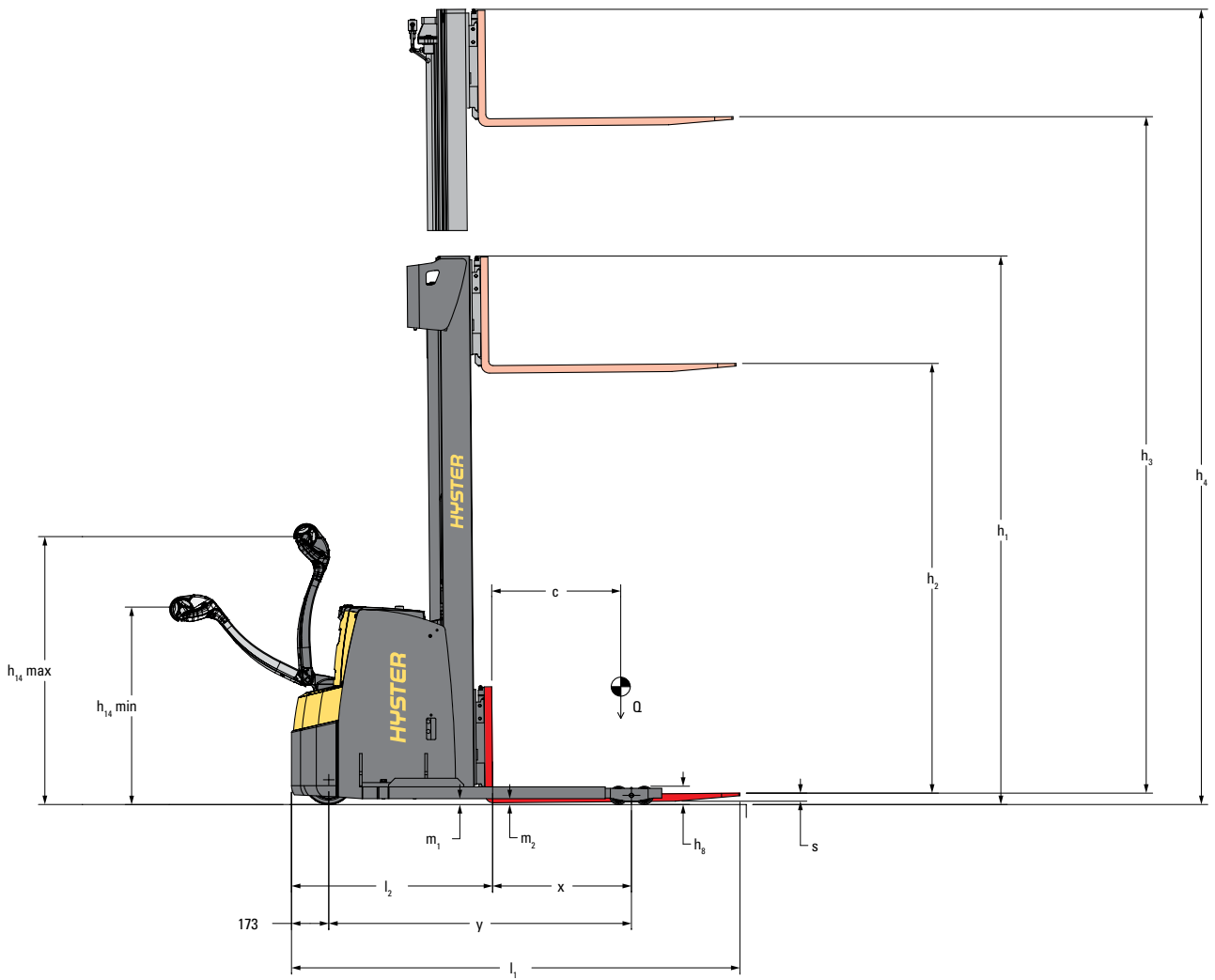
S1.0-2.0 / S1.6 SL SERIES TECHNICAL GUIDE



WWW.HYSTER.COM

> TRUCK DIMENSIONS





> S1.0 / S1.2 / S1.4

					HYSTER		HYSTER		HYSTER	
					S1.0		S1.2		S1.4	
GENERAL	1-1	Manufacturer			HYSTER		HYSTER		HYSTER	
	1-2	Model designation			S1.0		S1.2		S1.4	
	1-3	Drive			Electric (battery)		Electric (battery)		Electric (battery)	
	1-4	Operator type			Pedestrian		Pedestrian		Pedestrian	
	1-5	Rated capacity/rated load	Q ₁	t	1.0		1.2		1.4	
	1-6	Load centre distance	c	mm	600		600		600	
	1-8	Load distance, centre of drive axle to fork (1)	x	mm	648		649		649	
	1-9	Wheelbase	y	mm	1204		1259		1259	
	WEIGHT	2-1	Service weight (9)		kg	956		1005		1038
2-2		Axle loading with load, front / rear		kg	676	1280	708	1497	741	1697
2-3		Axle loading without load, front / rear		kg	642	314	663	342	688	350
WHEELS	3-1	Tyre type			Tophane / Polyurethane		Tophane / Polyurethane		Tophane / Polyurethane	
	3-2	Tyre size, front			230 x 70		230 x 70		230 x 70	
	3-3	Tyre size, front			85 x 100		85 x 100		85 x 70	
	3-4	Additional wheels (dimensions)			150 x 54		150 x 54		150 x 54	
	3-5	Wheels, number front / rear (x = driven wheels)			1x+1/2		1x+1/2		1x+1/4	
	3-6	Tread, front	b ₁₀	mm	510		510		510	
	3-7	Tread, rear	b ₁₁	mm	400		400		400	
DIMENSIONS	4-2	Height, mast lowered	h ₁	mm	2100		2100		2100	
	4-3	Free lift	h ₂	mm	100		100		100	
	4-4	Lift	h ₃	mm	3200		3200		3200	
	4-5	Height, mast extended	h ₄	mm	3728		3728		3728	
	4-6	Initial lift	h ₃	mm	-		-		-	
	4-9	Height drawbar in driving position min./max.	h ₁₄	mm	867	1223	867	1223	867	1223
	4-15	Height, lowered	h ₁₃	mm	90		90		90	
	4-19	Overall length (2)	l ₁	mm	1878		1933		1933	
	4-20	Length to face of forks (2)	l ₂	mm	728		783		783	
	4-21	Overall width	b ₁ /b ₂	mm	790		790		790	
	4-22	Fork dimensions DIN ISO 2331	s/e/l	mm	55 / 185 / 1150 (14)		55 / 185 / 1150 (14)		55 / 185 / 1150 (14)	
	4-24	Fork-carriage width	b ₃	mm	-		-		-	
	4-25	Distance between fork-arms	b ₅	mm	570 (10)		570 (10)		570 (10)	
	4-26	Distance between wheel arms/loading surfaces	b ₄	mm	-		-		-	
	4-31	Ground clearance, laden, below mast	m ₁	mm	42		42		42	
	4-32	Ground clearance, centre of wheelbase	m ₂	mm	32		32		32	
	4-34-1	Aisle width for pallets 1000 × 1200 crossways	Ast	mm	2307		2359		2359	
	4-34-4	Aisle width for pallets 800 × 1200 lengthways	Ast	mm	2293		2345		2345	
	4-35	Turning radius (15)	W _a	mm	1411		1464		1464	
	PERFORMANCE	5-1	Travel speed with / without load		km/h	6.0		6.0		6.0
5-1-1		Travel speed with / without load, backwards		km/h	6.0		6.0		6.0	
5-2		Lifting speed with / without load		m/s	0.15	0.23	0.17	0.28	0.16	0.28
5-3		Lowering speed with / without load		m/s	0.37	0.35	0.40	0.35	0.40	0.35
5-7		Gradeability - 1.6 km/h, with / without load		%	5.2	12.6	4.3	11.9	3.7	11.5
5-9		Max. gradeability - 1.6 km/h, with / without load		%	12.5	25.1	10.9	24.4	9.6	24.5
5-10		Service brake			Electromagnetic		Electromagnetic		Electromagnetic	
6-1		Drive motor, S2 60 min rating		kW	1.2		1.2		1.2	
6-2		Lift motor S3 15% rating		kW	2.2 (12)		3.0 (12)		3.0 (12)	
6-3		Battery according to DIN 43531/35/36 A,B,C, no			no		B		B	
6-4	Battery voltage/nominal capacity K5		V/Ah	24V / 200Ah (4)		24V / 250Ah (5)		24V / 250Ah (6)		
6-5	Battery weight (3)		kg	185		212		212		
6-6	Energy consumption according to VDI cycle (mechanic steering/electric steering)		kWh/h	0.68	0.85	0.78	1.0	0.89	1.13	
8-1	Type of drive unit			AC-Controller		AC-Controller		AC-Controller		
10-7	Sound pressure level at the driver's position (mechanic steering/electric steering)		dB (A)	67.6	64.0	67.6	64.0	67.6	64.0	

				HYSTER		HYSTER		HYSTER		
GENERAL	1-1	Manufacturer			HYSTER		HYSTER		HYSTER	
	1-2	Model designation			S1.6		S2.0		S1.6 SL	
	1-3	Drive			Electric (battery)		Electric (battery)		Electric (battery)	
	1-4	Operator type			Pedestrian		Pedestrian		Pedestrian	
	1-5	Rated capacity/rated load	Q ₁	t	1.6		2.0		1.6	
	1-6	Load centre distance	c	mm	600		600		600	
	1-8	Load distance, centre of drive axle to fork (1)	x	mm	649		644		644	
	1-9	Wheelbase	y	mm	1331		1350		1422	
	WEIGHT	2-1	Service weight (9)			1145		1151		1431
2-2		Axle loading with load, front / rear		kg	805	1940	846	2305	950	2081
2-3		Axle loading without load, front / rear		kg	748	397	771	380	893	538
WHEELS	3-1	Tyre type			Tophane / Polyurethane		Tophane / Polyurethane		Tophane / Polyurethane	
	3-2	Tyre size, front			230 x 70		230 x 70		230 x 70	
	3-3	Tyre size, front			85 x 70		85 x 70		85 x 70	
	3-4	Additional wheels (dimensions)			150 x 54		150 x 54		125 x 60	
	3-5	Wheels, number front / rear (x = driven wheels)			1x+1/4		1x+1/4		1x+1/4	
	3-6	Tread, front	b ₁₀	mm	510		510		522	
	3-7	Tread, rear	b ₁₁	mm	400		400		968 / 1168 / 1368	
DIMENSIONS	4-2	Height, mast lowered	h ₁	mm	2100		2100		2100	
	4-3	Free lift	h ₂	mm	100		100		100	
	4-4	Lift	h ₃	mm	3200		3000		3200	
	4-5	Height, mast extended	h ₄	mm	3728		3572		3728	
	4-6	Initial lift	h ₃	mm	-		-		-	
	4-9	Height drawbar in driving position min./max.	h ₁₄	mm	867	1223	867	1223	867	1223
	4-15	Height, lowered	h ₁₃	mm	90		90		55	
	4-19	Overall length (2)	l ₁	mm	2005		2005		2086	
	4-20	Length to face of forks (2)	l ₂	mm	855		855		935	
	4-21	Overall width	b ₁ /b ₂	mm	790		790		794 / 1095-1295-1495	
	4-22	Fork dimensions DIN ISO 2331	s/e/l	mm	55 / 185 / 1150 (14)		65 / 185 / 1150 (14)		35 / 120 / 1150	
	4-24	Fork-carriage width	b ₃	mm	-		-		800 / 1000 / 1200	
	4-25	Distance between fork-arms	b ₅	mm	570 (10)		570 (10)		-	
	4-26	Distance between wheel arms/loading surfaces	b ₄	mm	-		-		841-1041-1241	
	4-31	Ground clearance, laden, below mast	m ₁	mm	42		42		42	
	4-32	Ground clearance, centre of wheelbase	m ₂	mm	32		32		26	
	4-34-1	Aisle width for pallets 1000 x 1200 crossways	Ast	mm	2428		2428		2504	
	4-34-4	Aisle width for pallets 800 x 1200 lengthways	Ast	mm	2414		2414		2490	
	4-35	Turning radius (15)	W _a	mm	1533		1533		1607	
	PERFORMANCE	5-1	Travel speed with / without load		km/h	6.0		6.0		6.0
5-1-1		Travel speed with / without load, backwards		km/h	6.0		6.0		6.0	
5-2		Lifting speed with / without load		m/s	0.14	0.28	0.10	0.19	0.14	0.28
5-3		Lowering speed with / without load		m/s	0.40	0.35	0.24	0.17	0.40	0.35
5-7		Gradeability - 1.6 km/h, with / without load		%	3.1	10.2	2.9	11.5	3.1	8.9
5-9		Max. gradeability - 1.6 km/h, with / without load		%	8.3	22.8	7.0	22.6	7.4	17.8
5-10		Service brake			Electromagnetic		Electromagnetic		Electromagnetic	
6-1		Drive motor, S2 60 min rating		kW	1.2		1.2		1.2	
6-2		Lift motor S3 15% rating		kW	3.0 (13)		3.0 (13)		3.0 (13)	
6-3		Battery according to DIN 43531/35/36 A,B,C, no			B		B		B	
6-4	Battery voltage/nominal capacity K5		V/Ah	24V / 375Ah (7)		24V / 375Ah (7)		24V / 375Ah (16)		
6-5	Battery weight (3)		kg	288		288		288		
6-6	Energy consumption according to VDI cycle (mechanic steering/electric steering)		kWh/h	0.99	1.13	0.99	1.13	0.99	1.13	
8-1	Type of drive unit			AC-Controller		AC-Controller		AC-Controller		
10-7	Sound pressure level at the driver's position (mechanic steering/electric steering)		dB (A)	67.6	64.0	67.6	64.0	67.6	64.0	

> FORK TABLES

2 STAGE MAST

	Fork length (1)	Wheelbase	Turning radius (3)	Distance between fork-arms	Length to face of forks (2) (3)	Overall length (3)	Load distance (1)	Load dimensions			Aisle width (3)
	l (mm)	y (m)	Wa (mm)	b ₅ (mm)	l ₂ (mm)	l ₁ (mm)	x (mm)	l ₆ (mm)	b ₁₂ (mm)	pallet position	Ast (mm)
S1.0	800	1004	1328	520/570/680	728	1528	448	1000	800	crossways	2210
								800	800	lengthwise	2061
	1000	1204	1411	520/570/680	728	1728	648	1000	1000	crossways	2222
								1000	800	lengthwise	2144
	1150	1204	1411	520/570/680	728	1878	648	1000	1200	crossways	2307
								1200	800	lengthwise	2293
	1400	1404	1714	520/570/680	728	2128	848	1000	1400	crossways	2630
								1400	800	lengthwise	2596
	1600	1404	1714	520/570/680	728	2328	848	1000	1600	crossways	2728
								1600	800	lengthwise	2766

2 STAGE MAST

	Fork length (1)	Wheelbase	Turning radius (3)	Distance between fork-arms	Length to face of forks (2) (3)	Overall length (3)	Load distance (1)	Load dimensions			Aisle width (3)
	l (mm)	y (m)	Wa (mm)	b ₅ (mm)	l ₂ (mm)	l ₁ (mm)	x (mm)	l ₆ (mm)	b ₁₂ (mm)	pallet position	Ast (mm)
S1.2 S1.4 (250AH)	800	1059	1377	520/570/680	783	1583	449	1000	800	crossways	2258
								800	800	lengthwise	2109
	1000	1259	1464	520/570/680	783	1783	649	1000	1000	crossways	2275
								1000	800	lengthwise	2196
	1150	1259	1464	520/570/680	783	1933	649	1000	1200	crossways	2359
								1200	800	lengthwise	2345
	1400	1459	1764	520/570/680	783	2183	849	1000	1400	crossways	2680
								1400	800	lengthwise	2645
	1600	1459	1764	520/570/680	783	2383	849	1000	1600	crossways	2778
								1600	800	lengthwise	2815

3 STAGE MAST

	Fork length (1)	Wheelbase	Turning radius (3)	Distance between fork-arms	Length to face of forks (2) (3)	Overall length (3)	Load distance (1)	Load dimensions			Aisle width (3)
	l (mm)	y (m)	Wa (mm)	b ₅ (mm)	l ₂ (mm)	l ₁ (mm)	x (mm)	l ₆ (mm)	b ₁₂ (mm)	pallet position	Ast (mm)
S1.2 S1.4 (250AH)	800	1059	1377	520/570/680	826	1626	406	1000	800	crossways	2293
								800	800	lengthwise	2138
	1000	1259	1464	520/570/680	826	1826	606	1000	1000	crossways	2301
								1000	800	lengthwise	2225
	1150	1259	1464	520/570/680	826	1976	606	1000	1200	crossways	2382
								1200	800	lengthwise	2380
	1400	1459	1764	520/570/680	826	2226	806	1000	1400	crossways	2690
								1400	800	lengthwise	2680
	1600	1459	1764	520/570/680	826	2426	806	1000	1600	crossways	2787
								1600	800	lengthwise	2853

2 STAGE MAST

	Fork length (1)	Wheelbase	Turning radius (3)	Distance between fork-arms	Length to face of forks (2) (3)	Overall length (3)	Load distance (1)	Load dimensions			Aisle width (3)
	l (mm)	y (m)	Wa (mm)	b ₅ (mm)	l ₂ (mm)	l ₁ (mm)	x (mm)	l ₆ (mm)	b ₁₂ (mm)	pallet position	Ast (mm)
S1.4 (375AH) S1.6	800	1131	1441	520/570/680	728	1528	449	1000	800	crossways	2322
								800	800	lengthwise	2173
	1000	1331	1533	520/570/680	728	1728	649	1000	1000	crossways	2344
								1000	800	lengthwise	2265
	1150	1331	1533	520/570/680	855	2005	649	1000	1200	crossways	2428
								1200	800	lengthwise	2414
	1400	1531	1829	520/570/680	728	2128	849	1000	1400	crossways	2745
								1400	800	lengthwise	2709
	1600	1531	1829	520/570/680	728	2328	849	1000	1600	crossways	2843
								1600	800	lengthwise	2879

3 STAGE MAST

	Fork length (1)	Wheelbase	Turning radius (3)	Distance between fork-arms	Length to face of forks (2) (3)	Overall length (3)	Load distance (1)	Load dimensions			Aisle width (3)
	l (mm)	y (m)	Wa (mm)	b ₅ (mm)	l ₂ (mm)	l ₁ (mm)	x (mm)	l ₆ (mm)	b ₁₂ (mm)	pallet position	Ast (mm)
S1.4 (375AH) S1.6	800	1131	1441	520/570/680	898	1698	406	1000	800	crossways	2357
								800	800	lengthwise	2202
	1000	1331	1533	520/570/680	898	1898	606	1000	1000	crossways	2370
								1000	800	lengthwise	2294
	1150	1331	1533	520/570/680	898	2048	606	1000	1200	crossways	2451
								1200	800	lengthwise	2449
	1400	1531	1829	520/570/680	898	2298	806	1000	1400	crossways	2755
								1400	800	lengthwise	2745
	1600	1531	1829	520/570/680	898	2498	806	1000	1600	crossways	2852
								1600	800	lengthwise	2918

2 STAGE MAST

	Fork length (1)	Wheelbase	Turning radius (3)	Distance between fork-arms	Length to face of forks (2) (3)	Overall length (3)	Load distance (1)	Load dimensions			Aisle width (3)
	l (mm)	y (m)	Wa (mm)	b ₅ (mm)	l ₂ (mm)	l ₁ (mm)	x (mm)	l ₆ (mm)	b ₁₂ (mm)	pallet position	Ast (mm)
S2.0	800	1131	1441	520/570/680	728	1528	449	1000	800	crossways	2322
								800	800	lengthwise	2173
	1000	1331	1533	520/570/680	728	1728	649	1000	1000	crossways	2344
								1000	800	lengthwise	2265
	1150	1331	1533	520/570/680	855	2005	649	1000	1200	crossways	2428
								1200	800	lengthwise	2414

2 STAGE MAST

	Fork length (1)	Wheelbase	Turning radius (3)	Fork carriage width	Length to face of forks (2) (3)	Overall length (3)	Load distance (1)	Load dimensions			Aisle width (3)
	l (mm)	y (m)	Wa (mm)	b ₃ (mm)	l ₂ (mm)	l ₁ (mm)	x (mm)	l ₆ (mm)	b ₁₂ (mm)	pallet position	Ast (mm)
S1.6 SL	800	1208	1510	800/1000/1200	728	1528	446	1000	800	crossways	2393
								800	800	lengthwise	2244
	950	1408	1607	800/1000/1200	728	1678	646	1000	1000	crossways	2420
								1000	800	lengthwise	2341
	1150	1408	1607	800/1000/1200	935	2085	646	1000	1200	crossways	2504
								1200	800	lengthwise	2490
	1400	1608	1899	800/1000/1200	728	2128	846	1000	1400	crossways	2815
								1400	800	lengthwise	2782
	1600	1608	1899	800/1000/1200	728	2328	846	1000	1600	crossways	2913
								1600	800	lengthwise	2952

3 STAGE MAST

	Fork length (1)	Wheelbase	Turning radius (3)	Fork carriage width	Length to face of forks (2) (3)	Overall length (3)	Load distance (1)	Load dimensions			Aisle width (3)
	l (mm)	y (m)	Wa (mm)	b ₃ (mm)	l ₂ (mm)	l ₁ (mm)	x (mm)	l ₆ (mm)	b ₁₂ (mm)	pallet position	Ast (mm)
S1.6 SL	800	1208	1510	800/1000/1200	978	1778	403	1000	800	crossways	2429
								800	800	lengthwise	2274
	950	1408	1607	800/1000/1200	978	1928	603	1000	1000	crossways	2445
								1000	800	lengthwise	2371
	1150	1408	1607	800/1000/1200	978	2128	603	1000	1200	crossways	2526
								1200	800	lengthwise	2526
	1400	1608	1899	800/1000/1200	978	2378	803	1000	1400	crossways	2826
								1400	800	lengthwise	2817
	1600	1608	1899	800/1000/1200	978	2578	803	1000	1600	crossways	2923
								1600	800	lengthwise	2990

> MAST INFORMATION

2 STAGE NFL

		Lift height h ₃ (mm)	Free lift h ₂ (m)	Height, mast lowered h ₁ (mm) (1)	Height, mast extended h ₄ (mm) (2)	Weight of the mast (kg) (3)
S1.2 S1.4 S1.6	S1.0	2800	100	1900 (4)	3328	329
		3000	100	2000 (4)	3528	343
		3200	100	2100	3728	356
		3400	100	2200	3928	369
		3600	100	2300	4128	382
		3800	100	2400	4328	395
		4000	100	2500	4528	409
		4200	100	2600	4728	422

2 STAGE FFL

		Lift height h ₃ (mm)	Free lift h ₂ (m)	Height, mast lowered h ₁ (mm) (1)	Height, mast extended h ₄ (mm) (2)	Weight of the mast (kg) (3)
S1.2 S1.4 S1.6	S1.0	2740	1418	1850 (4)	3268	341
		2940	1518	1950 (4)	3468	354
		3140	1618	2050	3668	367
		3340	1718	2150	3868	380
		3540	1818	2250	4068	393
		3740	1918	2350	4268	406
		3940	2018	2450	4468	419
		4140	2118	2550	4668	432

3 STAGE FFL

		Lift height h ₃ (mm)	Free lift h ₂ (m)	Height, mast lowered h ₁ (mm) (1)	Height, mast extended h ₄ (mm) (2)	Weight of the mast (kg) (3)
S1.2		4040	1318	1850 (4)	4606	462
		4340	1418	1950 (4)	4906	481
		4620	1518	2050	5186	499
		4900	1618	2150	5466	518

3 STAGE FFL

		Lift height h ₃ (mm)	Free lift h ₂ (m)	Height, mast lowered h ₁ (mm) (1)	Height, mast extended h ₄ (mm) (2)	Weight of the mast (kg) (3)
S1.6	S1.4	4040	1318	1850 (4)	4606	462
		4340	1418	1950 (4)	4906	481
		4620	1518	2050	5186	499
		4900	1618	2150	5466	518
		5180	1718	2250	5746	537
		5460	1818	2350	6026	556
		5740	1918	2450	6306	575
		6020	2018	2550	6586	594

2 STAGE NFL

		Lift height h ₃ (mm)	Free lift h ₂ (m)	Height, mast lowered h ₁ (mm) (1)	Height, mast extended h ₄ (mm) (2)	Weight of the mast (kg) (3)
S2.0		2600	100	1900	3172	327
		2800	100	2000	3372	340
		3000	100	2100	3572	353
		3200	100	2200	3772	366
		3400	100	2300	3972	379
		3600	100	2400	4172	393
		3800	100	2500	4372	406
		4000	100	2600	4572	419

3 STAGE FFL

		Lift height h ₃ (mm)	Free lift h ₂ (m)	Height, mast lowered h ₁ (mm) (1)	Height, mast extended h ₄ (mm) (2)	Weight of the mast (kg) (3)
S1.6 SL		4040	1318	1850 (4)	4606	462
		4340	1418	1950 (4)	4906	481
		4620	1518	2050	5186	499
		4900	1618	2150	5466	518
		5180	1718	2250	5746	537
		5460	1818	2350	6026	556

STANDARD AND OPTIONAL EQUIPMENT >

ERGONOMICS	S1.0	S1.2	S1.4	S1.6	S2.0	S1.6 SL
Key Switch Start	X	X	X	X	X	X
Operator Password	0	0	0	0	0	0
A4 Clip Board	0	0	0	0	0	0
Multipurpose Bar above motor cover	0	0	0	0	0	0
Multipurpose Bar - Across	0	0	0	0	0	0
Multipurpose Clamp - 1PC	0	0	0	0	0	0
Multipurpose Clamp - 2PC	0	0	0	0	0	0
Bottle Holder	0	0	0	0	0	0
Stretch Film Roll Holder	0	0	0	0	0	0
Proportional Lift/Lowering on Tillerhead	X	X	X	X	X	X
CONSTRUCTION	S1.0	S1.2	S1.4	S1.6	S2.0	S1.6
B5=520mm Frame	0	0	0	0	-	-
B5=570mm Frame	X	X	X	X	X	-
B5=680mm Frame	0	0	0	0	-	-
B4=841mm Frame	-	-	-	-	-	X
B4=1041mm Frame	-	-	-	-	-	0
B4=1241mm Frame	-	-	-	-	-	0
Standard Construction	X	X	X	X	X	X
Cold Store Construction (-30° C)	0	0	0	0	0	0
Corrosion Protection	0	0	0	0	0	0
LIFT	S1.0	S1.2	S1.4	S1.6	S2.0	S1.6
2800mm 2 Stage Non Free Lift Mast	X	0	0	0	-	0
3200mm 2 Stage Non Free Lift Mast	0	X	X	X	-	X
3000mm 2 Stage Non Free Lift Mast	-	-	-	-	X	-
Other masts	0	0	0	0	0	0
850mm FEM2A Carriage	-	-	-	-	-	X
1000mm High Load Backrest	0	0	0	0	0	-
1150mm x 570mm x 55mm Welded Type Standard Taper Forks	X	X	X	X	-	-
1150mm x 570mm x 65mm Welded Type Standard Taper Forks	-	-	-	-	X	-
800mm x 120mm x 35mm FEM Type Standard Taper Forks	-	-	-	-	-	X
Other fork sizes	0	0	0	0	0	0
OPERATION	S1.0	S1.2	S1.4	S1.6	S2.0	S1.6
1 Function (0 Auxiliary) Hydraulic Control Valve	X	X	X	X	X	X
Audible Forward Alarm (Forks Trailing)	0	0	0	0	0	0
Audible Reverse Alarm (Forks Leading)	0	0	0	0	0	0
Audible Forward and Reverse Alarm	0	0	0	0	0	0
Pedestrian Awareness Light (P.A.L.)	0	0	0	0	0	0
Front Pedestrian Awareness Light (P.A.L.)	0	0	0	0	0	0
Lexan Mast Guard	0	0	0	0	0	0
Wire Mesh Mast Guard	X	X	X	X	X	X
Hyster Tracker wireless asset management system	0	0	0	0	0	0
Hyster Tracker wireless asset management - Access / Verification	0	0	0	0	0	0
Hyster Tracker wireless asset management - Monitoring	0	0	0	0	0	0
230 x 70mm Tophane Drive Wheel	X	X	X	X	X	X
230 x 70mm NDIIthane Drive Wheel	0	0	0	0	0	0
230 x 70mm NDIIthane Conductive Drive Wheel	0	0	0	0	0	0
230 x 70mm Dynaroll Drive Wheel	0	0	0	0	0	0
230 x 70mm Redthane Drive Wheel	0	0	0	0	0	0
85 x 70mm Tandem Polyurethane Load Wheels	0	0	X	X	X	X
85 x 100mm Single Polyurethane Load Wheels	X	X	-	-	-	-
85 x 100mm Single Polyurethane Load Wheels	X	X	-	-	-	-
BATTERIES	S1.0	S1.2	S1.4	S1.6	S2.0	S1.6
24V 150-200Ah batteries	0	-	-	-	-	-
24V 210-250Ah batteries	-	0	-	-	-	-
24V 315-375Ah batteries	-	-	0	0	0	0
650 x 150 x 680mm Battery Compartment (for 150/200 Ah BS Battery)	X	-	-	-	-	-
624 x 212 x 627mm Battery Compartment (for 210/250 Ah DIN Battery)	-	X	X	-	-	-
624 x 284 x 627mm Battery Compartment (for 315/375 Ah DIN Battery)	-	-	X	X	X	X
Side Battery Extraction	-	0	0	0	0	0

> STANDARD AND OPTIONAL EQUIPMENT

BATTERIES (continued)	S1.0	S1.2	S1.4	S1.6	S2.0	S1.6
Vertical Battery Extraction	X	X	X	X	X	X
Side Extraction (Using Rollers)	-	0	0	0	0	0
Twin Battery Change Station	-	0	0	0	0	0
Battery Wired Plug Included	0	0	0	0	0	0
Battery Cable Extension (1500mm)	0	0	0	0	0	0
On Board Charger	0	0	0	0	0	0
50Hz Single Phase 8 Hour Charger	0	0	0	0	0	0
50Hz Single Phase 12 Hour Charger	0	0	0	0	0	0
50Hz Three Phase 8 Hour Charger	0	0	0	0	0	0
High Frequency Single Phase 8 Hour Charger	0	0	0	0	0	0
High Frequency Single Phase 12 Hour Charger	0	0	0	0	0	0
APPEARANCE	S1.0	S1.2	S1.4	S1.6	S2.0	S1.6
Hyster paint base truck	X	X	X	X	X	X
Special paint base truck	0	0	0	0	0	0
SUPPLEMENTAL	S1.0	S1.2	S1.4	S1.6	S2.0	S1.6
Warranty: 24 Months / 4,000 Hours manufacturer's warranty	X	X	X	X	X	X
Warranty: 36 Months / 6,000 Hours extended warranty	0	0	0	0	0	0

Please refer to the Price List for full option configurations.

Other options available through Special Products Engineering Department (SPED). Contact Hyster for details.

MODEL TABLE NOTES:

Specifications are affected by the condition of the vehicle and how it is equipped, as well as the nature and condition of the operating area. Inform your dealer of the nature and condition of the intended operating area when purchasing your Hyster® truck.

- (1) With 3 stage mast: - 43mm
- (2) With 3 stage mast: +43mm;
with 3 stage mast with load backrest: +43mm;
with 2 stage mast with load backrest: +27mm.
- (3) These values may vary of +/-5%.
- (4) Available batteries 24V / 150Ah (144 kg) ; 24V / 150Ah Polypropylene case version (125 kg) ; 24V / 200Ah Polypropylene case version (160 kg) ; 24V / 100Ah Li-Ion (144 kg) ; 24V / 200Ah Li-Ion (154 kg) .
- (5) Available battery 24V / 210Ah (212 kg) ; 24V / 250Ah Polypropylene case version (180 kg + ballast 32 kg) ; 24V / 200Ah Li-Ion (211 kg).
- (6) Available battery 24V / 210Ah (212 kg) ; 24V / 315Ah (288 kg) ; 24V / 375Ah (288 kg) ; 24V / 250Ah Polypropylene case version (180 kg + ballast 32 kg) ; 24V / 200Ah Li-Ion (211 kg) ; 24V / 300Ah Li-Ion (277 kg) ; with 315/375Ah the wheelbase is increased $y=+72$ mm.
- (7) Available battery 24V / 315Ah (288 kg) ; 24V / 300Ah Li-Ion (277 kg).
- (8) Available battery 24V / 210Ah (212 kg) ; 24V / 200Ah BS (185 Kg) the battery is

not Din B ; 24V / 200Ah Li-Ion (154 kg) ; 24V / 200Ah Li-Ion (211 kg) ; with BS200Ah the wheelbase is decreased $y=-62$ mm.

- (9) With forks 1400/1600mm: +14 kg.
- (10) Available b_5 680 mm: with b_5 680mm, x -43mm, l_1 and l_2 +43mm.
- (11) Available battery 24V / 210Ah (212 kg) ; 24V / 315Ah (288 kg) ; 24V / 375Ah (288 kg) ; 24V / 200Ah Li-Ion (211 kg) ; 24V / 300Ah Li-Ion (277 kg) ; with 315/375Ah the wheelbase is increased $y=+72$ mm.
- (12) Value referred to S3 6% .
- (13) Value referred to S3 12% .
- (14) With 2 stage mast and $b_5=570$ mm the s dimension increases 5mm for first 250mm at toe.
- (16) Available battery 24V / 315Ah (288 kg).

MAST INFORMATION TABLE NOTES:

- (1) With free lift of 100mm for NFL mast.
- (2) With load backrest ($h=1000$) for carriage: h_4 + 562mm (2 stage mast), + 524mm (3 stage mast), + 518 mm (S2.0 2 stage mast).
- (3) All weights are: mast structures (weldment, cylinders, chain, pulley) + oil EXCLUDED: forks, accessories.
- (4) Not available with vertical extraction of battery BS200Ah.

The tough Hyster® Pedestrian Stacker is designed for stacking and retrieving loads at low and medium lift heights and horizontal load transfer over short and medium travel distances. It has excellent manoeuvrability, control and visibility.

The all-new Pedestrian Stacker is built with the quality hallmarks of Hyster: tough, intelligent, dependable and efficient.

DEPENDABILITY

- Robust chassis design with a one-piece base frame (no welded arms) and a new pressed bumper.
- Bumper has increased thickness of 5mm and has been designed with rounds that improve both the protection of the operator's foot and the robustness.
- Battery covers are made of thick injection moulded Polycarbonate.
- Dual processors controller for increased reliability.

PRODUCTIVITY

- The Hyster traction motor gives powerful acceleration and has an increased travel speed of up to 6km/h.
- Full AC infrastructure on motor allows seamless changes in direction of travel, increasing cycle speeds and the control of pallet handling operations.
- Straddle leg model is designed with bolted on legs (adjustable to three different dimensions) to suit requirements of different applications: lifting bottom closed pallets or wider than EURO pallets and in special applications involving rotating clamps or clamps with extra hydraulic ways.

ERGONOMICS

- Tiller arm is mounted in a mid height offset position with a reduced operating space to offer low effort steering and better functions controllability.
- Tiller head with angled left- and right-hand grips and large butterfly buttons incorporates proportional lift and lowering controls within easy reach.
- Mast incorporates Hyster designed profiles that reduce the total mast channel width and lift cylinder position optimized to increase operator visibility.
- Instrument panels are placed in reachable position and designed to house both Key or Keypad with the same layout and cover.
- The battery cover is designed to incorporate object holder although it has a wide sloped central plane to increase forks visibility.

LOW COST OF OWNERSHIP

- The Hyster 1.2 kW traction motor gives powerful acceleration and an increased travel speed for superior performance and increased productivity.
- Among the lowest energy consumption in market makes Pedestrian Stacker one of the most cost effective solutions.
- The battery cover protects the battery from falling objects while the emergency switch is still visible from all angles.
- Dash mounted display can show alarms, digital battery indicator and hourmeter.
- High level of parts commonality with other Hyster products with proven reliability and durability for ease of maintenance.

SERVICEABILITY

- Greased for life load rollers in mast design.
- Display provides error codes, battery status and hour-meter.
- Service access level by laptop and standardized Hyster service cable.
- Troubleshooting via CAN and via Display.
- Service interval hydraulic oil and filter: 3000h or 3 years.
- Standard warranty – 24 months

FORKS TABLE NOTES:

- (1) 2 stage mast only: less 27 mm with a load backrest fitted
- (2) 2 stage mast only: add 27 mm with a load backrest fitted

Bold values are reference version

Not all versions shown in tables are available as standard option

STANDARD AND OPTIONAL EQUIPMENT TABLE NOTES:

- X Standart equipment
- 0 Optional equipmenrt
- Not available

NOTICE:


Care must be exercised when handling elevated loads. Operators must be trained and must read, understand and follow the instructions contained in the Operating Manual.

All values are nominal values and they are subject to tolerances. For further information, please contact the manufacturer.

Hyster products are subject to change without notice.

Lift trucks illustrated may feature optional equipment. Values may vary with alternative configurations.

Specification data is based on VDI 2198.

 **Safety:** This truck conforms to the current EU requirements.

STRONG PARTNERS. TOUGH TRUCKS.™

FOR DEMANDING OPERATIONS, EVERYWHERE.

Hyster® supplies a complete range of warehouse equipment, IC and electric counterbalanced trucks, container handlers and reach stackers. Hyster® is committed to being much more than a lift truck supplier.

Our aim is to offer a complete partnership capable of responding to the full spectrum of material handling issues: whether you need professional consultancy on your fleet management, fully qualified service support, or reliable parts supply, you can depend on Hyster®.

Our network of highly trained dealers provides expert, responsive local support. They can offer cost-effective finance packages and introduce effectively managed maintenance programmes to ensure that you get the best possible value. Our business is dealing with your material handling needs so you can focus on the success of your business today and in the future.




HYSTER EUROPE

Centennial House, Frimley Business Park, Frimley, Surrey, GU16 7SG, England.

Tel: +44 (0) 1276 538500

www.hyster.eu infoeurope@hyster.com [/HysterEurope](https://www.facebook.com/HysterEurope) [@HysterEurope](https://twitter.com/HysterEurope) [/HysterEurope](https://www.youtube.com/channel/UC...) www.hyster-bigtrucks.com

HYSTER-YALE UK LIMITED trading as Hyster Europe. Registered Address: Centennial House, Building 4.5, Frimley Business Park, Frimley, Surrey GU16 7SG, United Kingdom. Registered in England and Wales. Company Registration Number: 02636775.

©2019 HYSTER-YALE UK LIMITED, all rights reserved. HYSTER, , and STRONG PARTNERS. TOUGH TRUCKS. are trademarks of HYSTER-YALE Group, Inc.

NDIIThane, RedThane and Dynaroll are trademarks of Wicke GmbH + Co. KG. Lexan is a trademark of Sabic Global Technologies B.V.

Hyster products are subject to change without notice. Forklift trucks illustrated may feature optional equipment.

