

# W20-30ZR

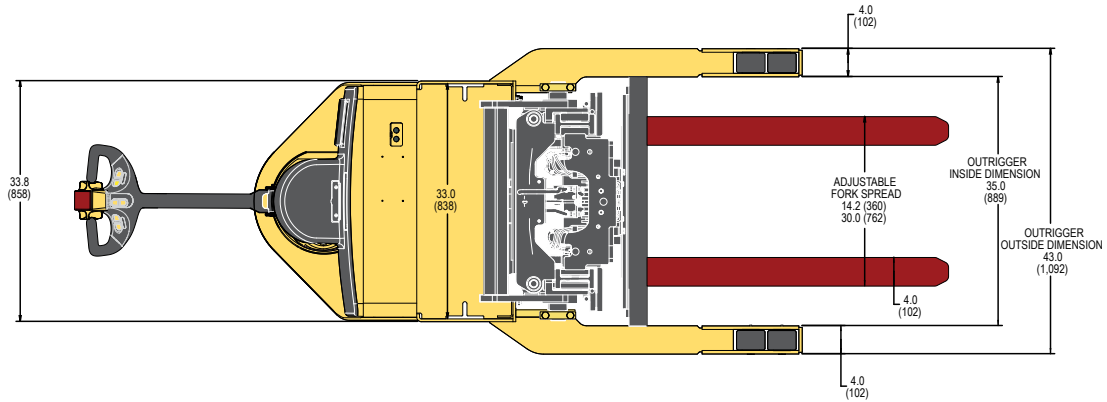
---



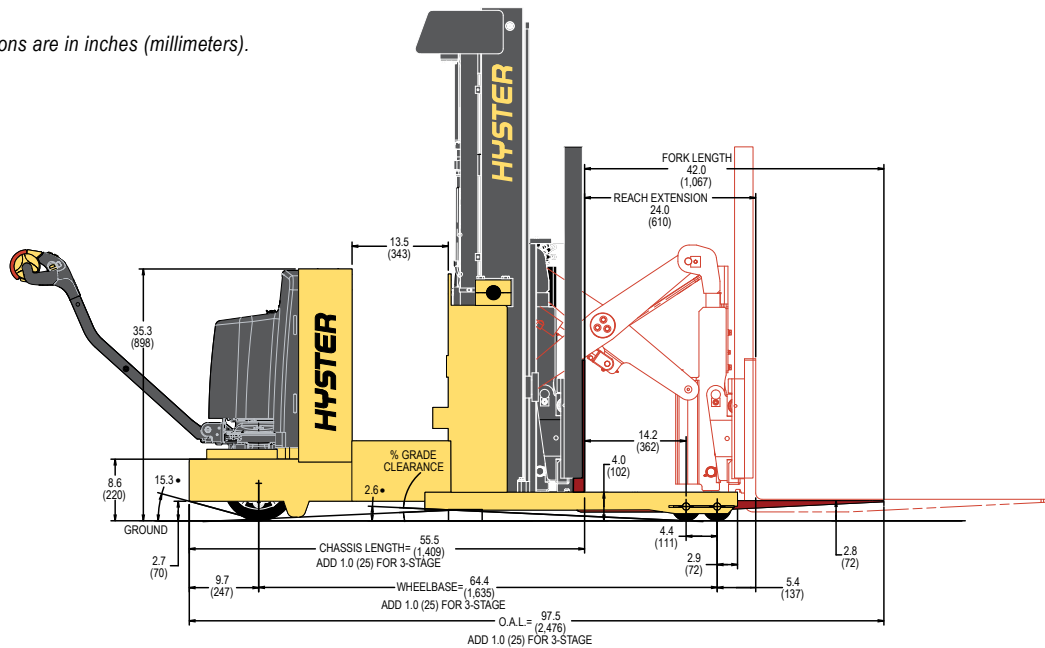
## WALKIE REACH STACKER PRODUCT TECHNICAL GUIDE



# W20-30ZR DIMENSIONS



Dimensions are in inches (millimeters).



## W20-30ZR MAST DIMENSIONS

Maximum fork height (TOF)	Overall lowered height	Overall extended height		Free-lift (TOF) w/o load backrest	Mast weight
		w/load backrest	w/o load backrest		
in (mm)	in (mm)	in (mm)	in (mm)	in (mm)	lb (kg)
<b>2-STAGE LIMITED FREE-LIFT (LFL) VISTA® MAST</b>					
101.0 (2,565)	72.0 (1,829)	149.0 (3,785)	121.5 (3,086)	6.5 (165)	1,660 (753)
111.0 (2,819)	77.0 (1,956)	159.0 (4,039)	131.5 (3,340)	6.5 (165)	1,725 (782)
123.0 (3,124)	83.0 (2,108)	171.0 (4,343)	143.5 (3,645)	6.5 (165)	1,800 (816)
141.0 (3,581)	92.0 (2,337)	189.0 (4,801)	161.5 (4,102)	6.5 (165)	1,925 (873)
<b>3-STAGE FULL FREE-LIFT (LFL) VISTA® MAST</b>					
149.0 (3,810)	73.0 (1,854)	197.0 (5,004)	169.5 (4,305)	50.0 (1,270)	2,025 (919)
164.0 (4,166)	78.0 (1,956)	212.0 (5,385)	184.5 (4,686)	55.0 (1,397)	2,130 (966)
179.0 (4,547)	83.0 (2,108)	227.0 (5,766)	199.5 (5,067)	60.0 (1,524)	2,250 (1,021)

## W20-30ZR BATTERY AND COMPARTMENT SPECIFICATIONS

Number of cells	Cell size	Plates per cell	Capacity amp-hours	KWH	"X" dimension	"Y" dimension	"Z" dimension	Weight
12	75	11	375	8.7	26.5	13.0	23.3	825 lb
12	85	11	425	9.9	26.1	12.8	23.3	865 lb
12	75	13	450	10.5	30.9	13.0	23.3	987 lb
12	85	13	510	11.9	30.9	13.0	23.3	1,035 lb

### NOTES:

- (1) Steel tray with cover required for all batteries.
- (2) Battery connector type 175 red (gray is optional).
- (3) Cable lead position "B".
- (4) 20" cable length.
- (5) Maximum cable gauge of 1/0.
- (6) Battery well: 33" x 13.5" x open

† Lift heights over 123.0" (3124 mm) (W30ZR) maximum fork height require reduced capacity or restricted back tilt. Lift heights over 141.0" (3581 mm) (W20ZR) may require reduced capacity or restricted back tilt. Contact Applications Engineering if this measurement is critical.

\* If load backrest extension is used on 3-stage FFL, add 27.5" (699 mm).

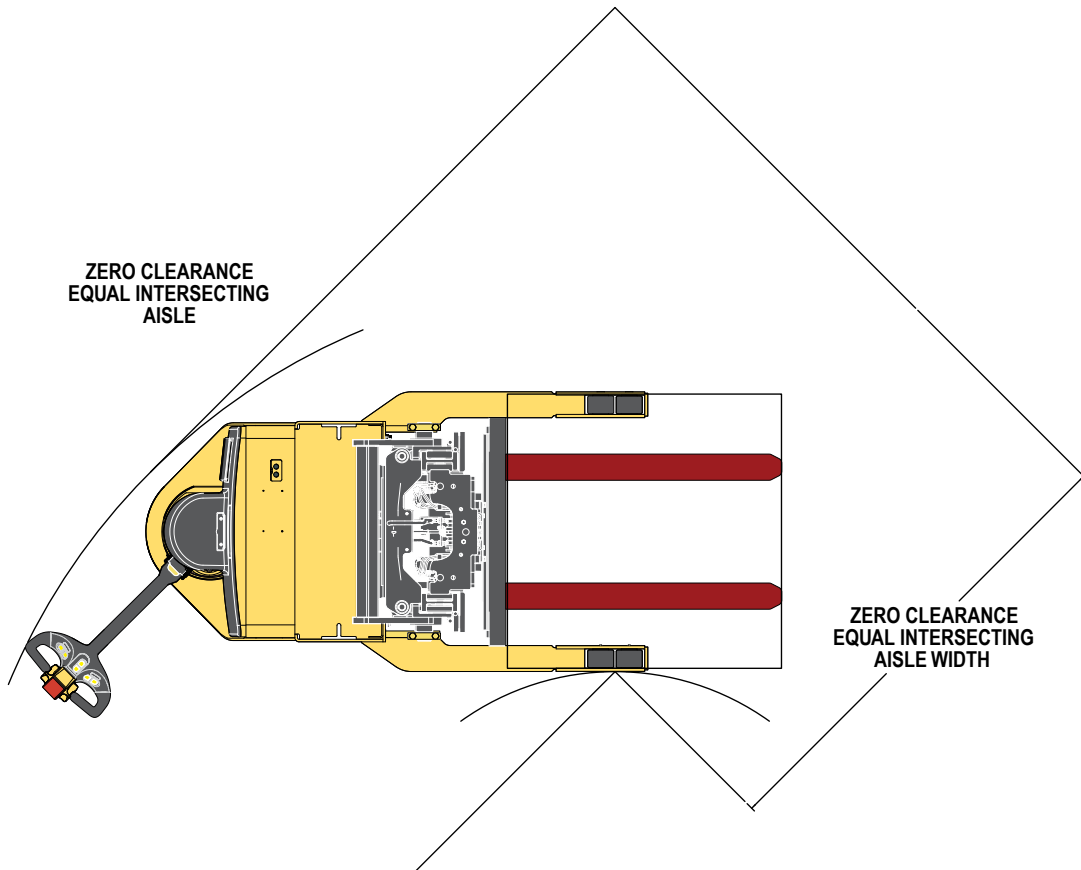
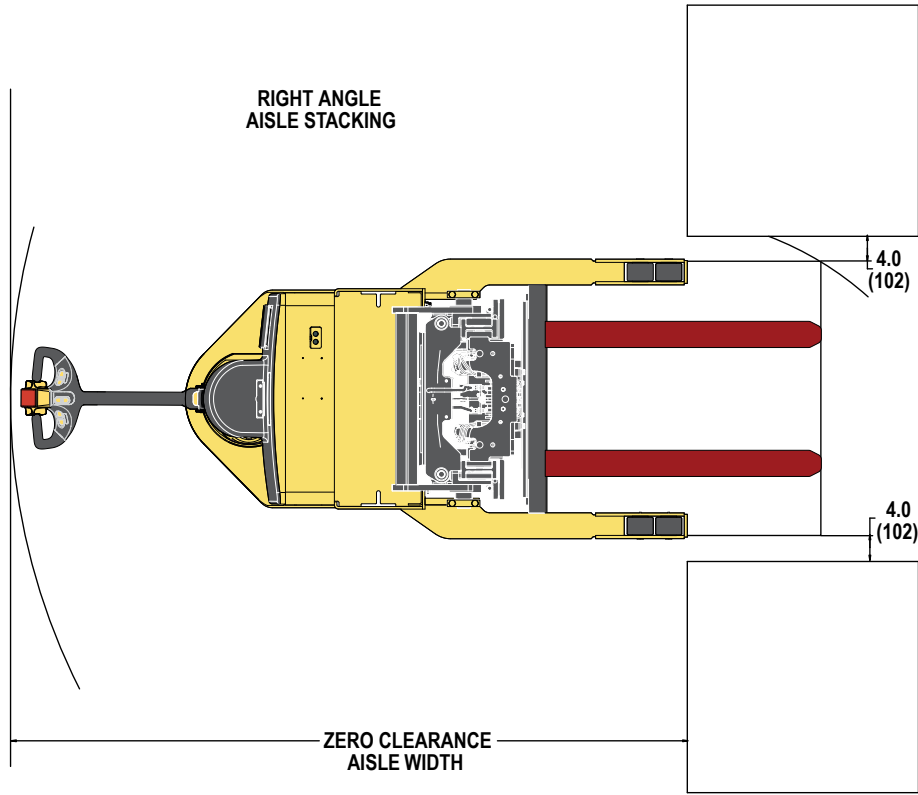
# W20-30ZR SPECIFICATIONS

GENERAL	1	Manufacturer		Hyster Company	Hyster Company
	2	Model		W20ZR	W30ZR
	3	Capacity, rated	lb (kg)	2,000 (910)	3,000 (1,360)
	4	Load center	in (mm)	24 (610)	24 (610)
	5	Power type		24V - Electric	24V - Electric
	6	Operator type		Pedestrian	Pedestrian
	7	Tire type, cushion, solid, pneumatic, etc.		Cushion	Cushion
	8	Wheels, drive/load		1/4	1/4
DIMENSIONS	10	2-stg. limited free lift (LFL) (TOF)	in (mm)	123.0 (3,124)	123.0 (3,124)
	11	Standard free-lift (TOF)	in (mm)	6.5 (165)	6.5 (165)
	12	Maximum carriage width	in (mm)	32.5 (825)	32.5 (825)
	13	Forks, width/thickness/length	in (mm)	4.0 (100)/1.5 (40)/42.0 (1,067)	4.0 (100)/1.5 (40)/42.0 (1,067)
	14	Fork spread (outside dimensions)	in (mm)	30.0 (762)	30.0 (762)
	15	Tilt of mast - forward/backward	degrees	3/4	3/4
	16	Length to face of forks	in (mm)	55.5 (1,409)	55.5 (1,409)
	17	Overall width (standard tires)	min/max	35.0 (889) to 49.0 (1,245)	35.0 (889) to 49.0 (1,245)
	18	Lowered overall height (LOH)	in (mm)	83.0 (2,108)	83.0 (2,108)
	19	Maximum fork height (MFH)	in (mm)	123.0 (3,124)	123.0 (3,124)
	21	Turning radius, minimum outside	in (mm)	74.2 (1,885)	74.2 (1,885)
	22	Overhang, end of outrigger to face of forks	in (mm)	2.6 (66)	2.6 (66)
	23	90° stack aisle (add load length)	in (mm)	See chart	See chart
	24	Equal Intersecting Aisle	in (mm)	See chart	See chart
		Stability (comply with ANSI?) *		Yes	Yes
	PERFORMANCE	25	Travel speed, no load	mph (km/h)	3.5 (5.6)
		Travel speed, rated load	mph (km/h)	3.1 (4.9)	2.9 (4.7)
26		Lift speed, std. no load	ft/min (m/s)	30.0 (0.15)	30.0 (0.15)
		Lift speed, std. rated load	ft/min (m/s)	22.0 (0.11)	22.0 (0.11)
27		Lowering speed, std. no load	ft/min (m/s)	43.0 (0.22)	43.0 (0.22)
		Lowering speed, std. rated load	ft/min (m/s)	45.0 (0.23)	45.0 (0.23)
WT.	29	Gradeability	%	10.00	10.00
	31	Total approximate weight without battery	lb (kg)	3,422 (1,552)	3,422 (1,552)
WHEELS & TIRES	32	Axle load, no load drive/load	lb (kg)	2,286 (1,037)/1,736 (787)	2,286 (1,037)/1,736 (787)
		Number tires drive/load		1/4	1/4
	33	Size of tire, drive	in (mm)	10.0 x 5.0/(254 x 127) Poly	10.0 x 5.0/(254 x 127) Poly
	34	Size of tire, load	in (mm)	4.0 x 2.8/(102 x 71) Tandem Poly	4.0 x 2.8/(102 x 71) Tandem Poly
	35	Wheelbase	in (mm)	64.4 (1,635)	64.4 (1,635)
	37	Ground clearance, no load lowest point	in (mm)	0.5 (13)	0.5 (13)
	38	Ground clearance, no load center wheelbase	in (mm)	1.5 (38)	1.5 (38)
BATT.	41	Battery, type		Lead acid	Lead acid
	42	Battery, volts/ampere hours	V/ah	24/510	24/510
	43	Battery, minimum weight	lb (kg)	600 (273)	600 (273)
MOTOR	44	Traction motor, 60 min. rating	hp (kw)	2.3 (1.7)	2.3 (1.7)
		Pump motor, 15 min. rating	hp (kw)	4.0 (3.0)	4.0 (3.0)
	45	Traction motor control method		Transistor	Transistor
	46	Number of speeds		Infinitely variable	Infinitely variable
	47	Relief pressure for attachments	psi (kPA)	2,900 (19,995)	2,900 (19,995)
	49	Grade clearance	%	13.0	13.0

**CERTIFICATION:** These Hyster lift trucks meet design specifications of Part II ANSI B56.1-1969, as required by OSHA Section 1910.178(a)(2) and also comply with Part III ANSI B56.1-revision in effect at time of manufacture. Certification of compliance with the applicable ANSI standards appears on the lift truck.

† **NOTE:** Performance specifications are for truck equipped as described under standard equipment in this technical guide. Performance specifications are affected by the condition of the vehicle and how it is equipped, as well as by the nature and condition of the operating area. Specifications are subject to change and the proposed application should be discussed with your authorized Hyster Company Dealer.

# W20-30ZR DIMENSIONS



## Zero Clearance/Right Angle Aisle Stacking/ Intersecting Equal Aisle Stacking

To determine the correct dimension, take the larger sum of either the load or pallet dimensions for length and width. Add the dimension for optional configuration and the 6.0" to 12.0" operating clearance. All values are based on 4.0" spacing between loads. Please contact your local Hyster dealer for additional information on load spacing and base arm dimensions.

## Right angle stack W20-30ZR Walkie Reach Stacker Truck

(Equipped with 2-stage VISTA mast and 13.5" battery compartment)

Load width (inches)	Load length (inches)			
	36	40	42	48
36	82	89	92	99
40	81	88	91	99
41	80	88	91	99
42	80	88	91	99
48	80	86	89	98

For 3-stage VISTA mast add 2.0"

## Load width open end clearance

### W20-30ZR Walkie Reach Stacker Truck

(Equipped with 2-stage VISTA mast and 13.5" battery compartment)

Load width	Outrigger ID	OAW	Load length	Fork length	Wheel-base	O.A.L.*	Length of face to forks
32	35	43	30-32	36	64.4	91.5	55.5
36	37	45	34-36	36	64.4	91.5	55.5
42	43	51	38-42	42	64.4	97.5	55.5
48	49	57	44-48	48	64.4	103.5	55.5

For 3-stage VISTA mast add 2.0"

## Intersecting equal aisle W20-30ZR Walkie Reach Stacker Truck

(Equipped with 2-stage VISTA mast and 13.5" battery compartment)

Load width (inches)	Load up and over outrigger				Load between outriggers				
	36	40	42	48	Outrigger OAW	36	40	42	48
36	63	63	63	63	44	69	69	69	69
40	65	65	65	65	48	71	71	71	71
41	65	65	65	65	49	71	71	71	71
42	66	66	66	66	50	71	71	71	71
48	69	69	69	69	57	74	74	74	74

For 3-stage VISTA mast add 2.0"




## W20-30ZR FEATURES AND OPTIONS

<b>PERFORMANCE</b>	<b>STD</b>	<b>OPT</b>
24-volt	X	
SEM traction control technology	X	
Energy efficient MOSFET traction/hoist controller	X	
Transistor hydraulics	X	
Auto deceleration system	X	
3 user programmable performance modes	X	
Creep speed control		X
<b>DRIVE</b>	<b>STD</b>	<b>OPT</b>
Drive tire		
– 10" x 5" press-on smooth polyurethane	X	
– 10" x 5" press-on siped polyurethane		X
4" x 2.8" tandem polyurethane load wheels	X	
<b>LIFT</b>	<b>STD</b>	<b>OPT</b>
Mast		
- 101" MFH / 72" OLH 2-stage		X
- 111" MFH / 77" OLH 2-stage		X
- 123" MFH / 83" OLH 2-stage	X	
- 141" MFH / 92" OLH 2-stage		X
- 149" MFH / 73" OLH 3-stage		X
- 164" MFH / 78" OLH 3-stage		X
- 179" MFH / 83" OLH 3-stage		X
Proportional lift/lowering	X	
<b>HANDLING</b>	<b>STD</b>	<b>OPT</b>
32.5" carriage	X	
32.5" hook type integral sideshift carriage		X
48" high load backrest extension	X	
Without load backrest		X
Forks		
- 36" x 1.5" x 4.0" hook type - standard taper forks		X
- 42" x 1.5" x 4.0" hook type - standard taper forks	X	
- 48" x 1.5" x 4.0" hook type - standard taper forks		X
Without forks		X
<b>ERGONOMICS</b>	<b>STD</b>	<b>OPT</b>
Ergonomically designed composite control handle	X	
Ergonomically designed cast aluminum control handle		X

<b>OPERATION</b>	<b>STD</b>	<b>OPT</b>
Key switch start	X	
Keyless toggle start with auxiliary key switch		X
<b>Base arms</b>		
- 35" Open end clearance with 43" outside dimension (overall width)	X	
- 37" Open end clearance with 45" outside dimension (overall width)		X
- 41" Open end clearance with 49" outside dimension (overall width)		X
- 42" Open end clearance with 50" outside dimension (overall width)		X
- 43" Open end clearance with 51" outside dimension (overall width)		X
- 49" Open end clearance with 57" outside dimension (overall width)		X
Low battery lift interrupt without display	X	
<b>Battery connector</b>		
- 175 amp red	X	
- 175 amp grey		X
<b>Multifunction display</b>		
- Battery discharge indicator		X
- Hour meter		
- Fault light		
Electric horn	X	
Electro-magnetic park brake	X	
Traction reversing switch	X	
<b>CONSTRUCTION</b>	<b>STD</b>	<b>OPT</b>
UL Classification Type "E"	X	
<b>Application/environmental construction</b>		
- Standard environmental construction +32°F	X	
- Cold storage/freezer package to -15°F		X
33.0" x 13.5" battery compartment	X	
Lift out battery removal	X	
Side battery extraction - both sides		X
<b>VISIBILITY</b>	<b>STD</b>	<b>OPT</b>
Wire mesh screen	X	
Lexan shield - mast		X
<b>ENERGY SYSTEM</b>	<b>STD</b>	<b>OPT</b>
Set for flooded cell		X
Set for maintenance free		X
<b>SUPPLEMENTAL</b>	<b>STD</b>	<b>OPT</b>
12 months / no limit full truck warranty	X	
36 months / 6,000 hours powertrain warranty	X	
60 months / 10,000 hour frame warranty	X	
3 year 6,000 hour part A comprehensive parts and labor no deduct		X
5 year 10,000 hour part A comprehensive parts and labor no deduct		X
5 year 10,000 hour part B powertrain parts and labor no deduct		X
HY-Shield - part A extension to 3 yrs / 6,000 hrs - part B extension to 5 yrs / 10,000 hrs		X
Parts manual - CD or printed		X



Hyster Company  
P.O. Box 7006, Greenville, North Carolina 27835-7006

© Hyster Company. 2023, all rights reserved. Hyster and  are trademarks of Hyster-Yale Group, Inc.

Hyster products are subject to change without notice. Trucks may be shown with optional equipment.