



[WWW.HYSTER.COM](http://WWW.HYSTER.COM)

## **ELECTRIC COUNTERBALANCED FORKLIFT**

### **PRODUCT BROCHURE**

# **J5.0-7.0XTLG**

---



# RELIABILITY AND DURABILITY

---

- Proven and tested structural design is ideal for indoor and outdoor working conditions.
- Intensive environmental testing enables reliability and durability.
- Water cooled motors and controllers to maintain optimal operating temperatures.
- Lithium battery:
  - Side charging minimises need to open battery compartment.
  - Automatic heating function manages temperature recovery during discharge and before charging.



# ERGONOMICS AND COMFORT

---

- Ergonomic design and optimized operator compartment improves driving experience.
- Multiple seat options to suit most operator sizes.
- Informative colour display including performance mode settings.
- Wide view mast provides good forward visibility.
- Large tyre size and high ground clearance provides optimal performance on uneven ground conditions.



# HIGH EFFICIENCY AND PERFORMANCE

---

- High efficiency permanent magnet motor and controller system:
  - Provides up to 95% working efficiency.
  - Reduces energy consumption by 20%.
  - IPX4 waterproof rating.
  - Enables continuous operation in wet conditions.
- BMS and controller with leakage detection system.
- Permanent magnet synchronous motor delivers high efficiency.



# OTHER FEATURES

---

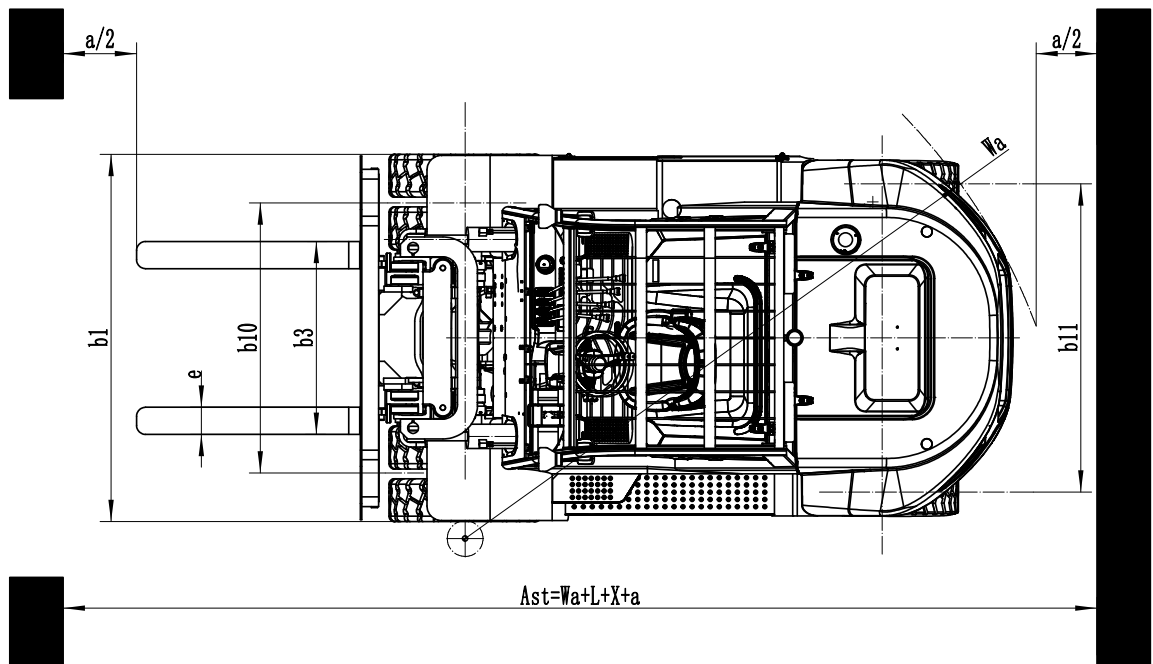
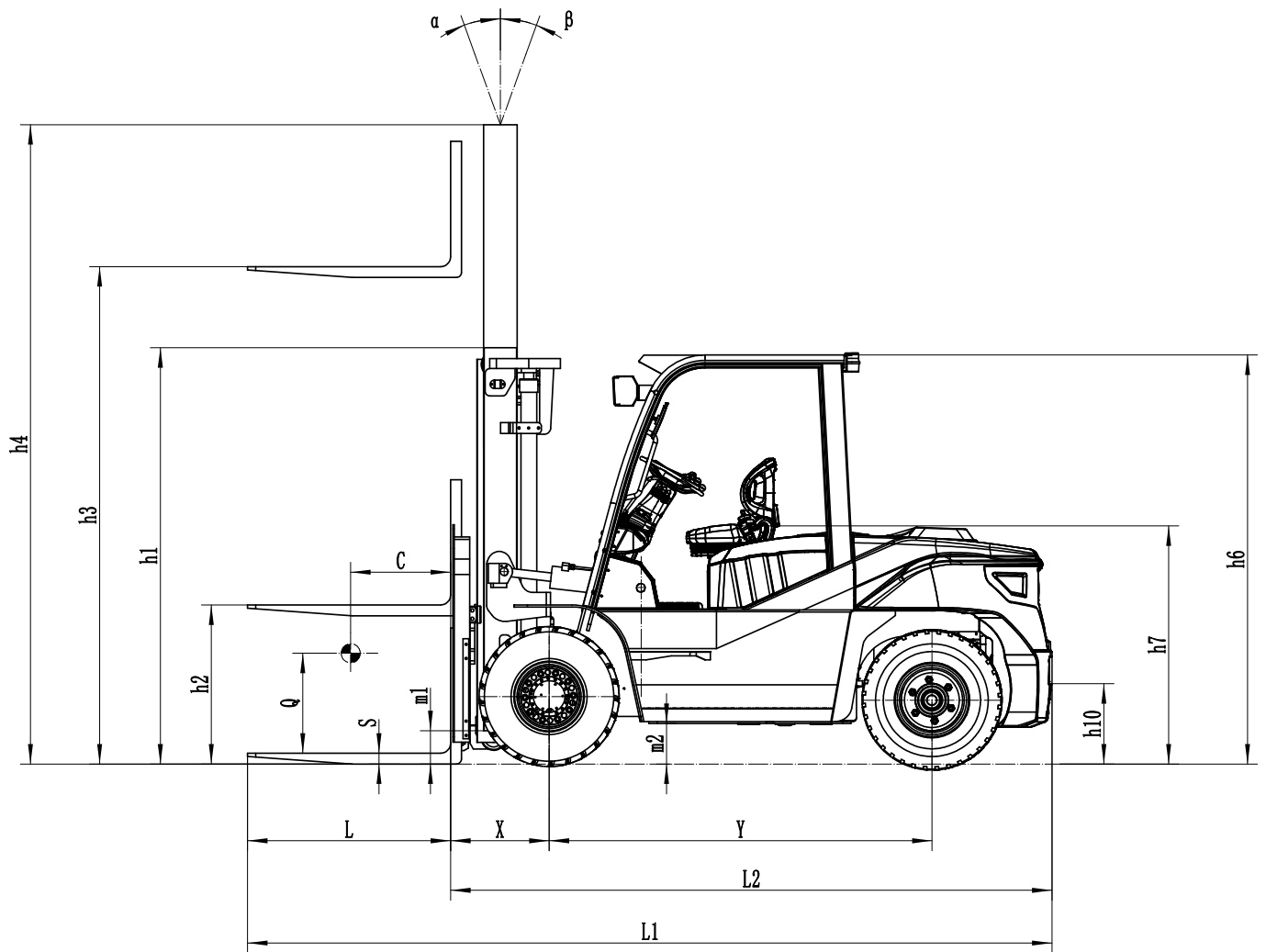
- Standard curve deceleration
- Standard energy saving bright LED lights
- Standard USB charge ports
- Standard operator presence system
- Optional dual wheels
- Optional wet brake axle
- Optional automatic park brake
- Optional telemetry
- Optional minilevers

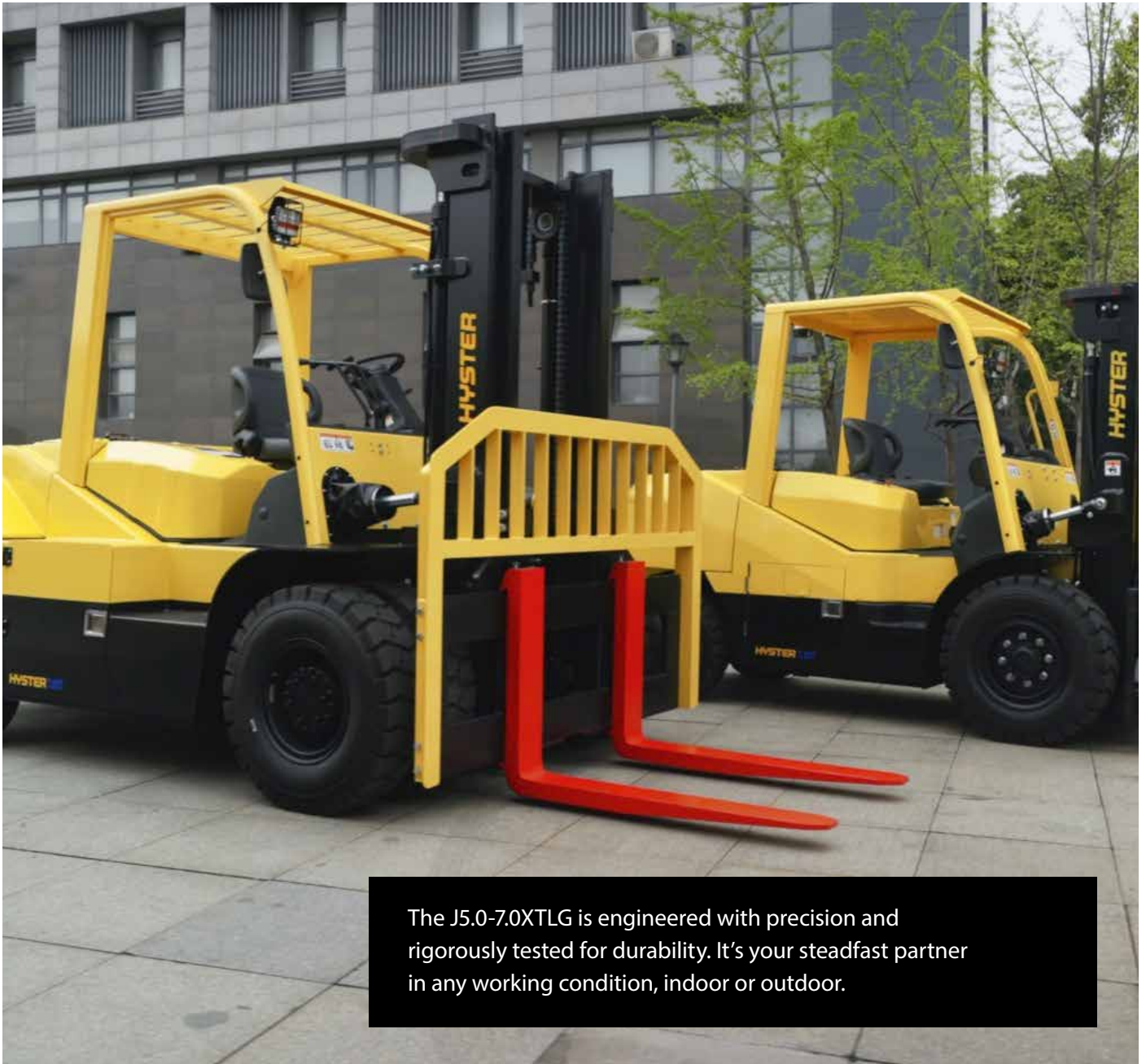


# J5.0-7.0XTLG SPECIFICATIONS

DISTINGUISHING MARKS	1.1	Manufacturer	Hyster				
	1.2	Model designation	J5.0XTLG6	J6.0XTLG6	J7.0XTLG6		
	1.3	Drive: electric(battery or mains), diesel, petrol, fuel gas	Electric				
	1.4	Operator type: hand, pedestrian, standing, seated, order-picker	Seat				
	1.5	Rated capacity/rated load	Q (kg)	5000	6000	7000	
	1.6	Load centre distance	c (mm)	600			
	1.8	Load distance, centre of drive axle to fork	x (mm)	590			
	1.9	Wheelbase (with mast vertical)	y (mm)	2300			
	WEIGHTS	2.1	Service weight	kg	8510	9185	9800
2.2		Axle loading, laden front/rear	kg	11980/1530	13466/1719	14900/1900	
2.3		Axle loading, unladen front/rear	kg	3900/4610	4133/5052	4200/5600	
TYRES/CHASSIS	3.1	Tyres: Solid rubber, superelastic, pneumatic, polyurethane	Pneumatic				
	3.2	Tyre size, front	8.25-15-14PR				
	3.3	Tyre size, rear	8.25-15-14PR				
	3.5	Wheels, number front/rear	4x2				
	3.6	Tread, front	b <sub>10</sub> (mm)	1489			
	3.7	Tread, rear	b <sub>11</sub> (mm)	1700			
	DIMENSIONS	4.1	Tilt of mast/fork carriage, forward/backward	$\alpha$ / $\beta$ (°)	10/12		
4.2		Height, mast lowered	h <sub>1</sub> (mm)	2500	2625		
4.3		Free lift	h <sub>2</sub> (mm)	205			
4.4		Lift	h <sub>3</sub> (mm)	3000			
4.5		Height, mast extended	h <sub>4</sub> (mm)	4425			
4.7		Height of overhead guard (cabin)	h <sub>6</sub> (mm)	2450			
4.8		Seat height/stand height	h <sub>7</sub> (mm)	1400			
4.12		Towing coupling height	h <sub>10</sub> (mm)	345			
4.19		Overall length	l <sub>1</sub> (mm)	4715	4785	4830	
4.20		Length to face of forks	l <sub>2</sub> (mm)	3495	3565	3610	
4.21		Overall width	b <sub>1</sub> (mm)	2020			
4.22		Fork dimensions ISO2331	s/e/l (mm)	65/150/1220			
4.23		Fork carriage ISO 2328. Class/type, A/B		ISO 4A			
4.24		Fork carriage width	b <sub>3</sub> (mm)	1845			
4.31		Ground clearance, laden, below mast	m <sub>1</sub> (mm)	200			
4.32		Ground clearance, centre of wheelbase	m <sub>2</sub> (mm)	230			
4.33		Load dimension b <sub>12</sub> x l <sub>6</sub> crossways	b <sub>12</sub> x l <sub>6</sub> (mm)	1000x1000			
4.34.1		Aisle width with pallets 1000mm x 1200mm crossways	Ast (mm)	5260	5310	5370	
4.35		Turning radius	Wa (mm)	3250	3300	3360	
4.36	Inner turning radius	b <sub>13</sub> (mm)	1105				
PERFORMANCE DATA	5.1	Travel speed, laden/unladen	km/h	19/20			
	5.1.1	Travel speed, laden/unladen, backwards	km/h	19/20			
	5.2	Lifting speed, laden/unladen	mm/s	340/400			
	5.3	Lowering speed laden/unladen	mm/s	500/400			
	5.5	Drawbar pull laden/unladen	N	45000/40000			
	5.8	Maximum gradeability, laden/unladen	%	20/20			
	5.9	Acceleration time, laden/unladen 15m	sec	4.06/4.05			
	5.10	Service brake		Hydraulic			
	ELECTRIC-ENGINE	6.1	Drive motor rating S2 60 min	Kw	40KW/2400rpm		
		6.2	Lift motor rating at S3 15 %	Kw	2x20KW		
6.3		Battery according to DIN 43531/35/36 A, B, C, no		NO			
6.4		Battery voltage/nominal capacity K5	(V)/(Ah)	352/228			
6.5		Battery weight	kg	740			
6.6		Energy consumption according to VDI cycle	kWh/h	19.18			
6.7		Turnover output	t/h	357			
6.8		Energy consumption at turnover output	kWh in 1 h	18.7			
ADDITIONAL DATA	8.1	Type of drive unit		AC			
	10.1	Operating pressure for attachments	bar	195			
	10.2	Oil volume for attachments	l/min	140			
	10.7	Sound pressure level at the driver's seat	dB (A)	74			
	10.7.1	Sound power level during the workcycle	dB (A)	91.7			
	10.8	Towing coupling, type DIN		PIN			

# TRUCK DIMENSIONS





The J5.0-7.0XTLG is engineered with precision and rigorously tested for durability. It's your steadfast partner in any working condition, indoor or outdoor.

**J5.0-7.OXTLG MAST DIMENSIONS**

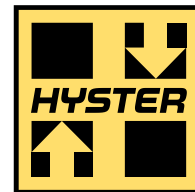
Maximum Fork Height	Overall Extended Height						Free lift		Load Distance	Mast Tilt		Capacity 500mm load centre Front single tyre			Mast weight	
	Lowered Height		Without LBR		With LBR		Without LBR	With LBR		Forward	Back	5.0T	6.0T	7.0T	5.0-6.0T	7.0T
	5.0-6.0T	7.0T	5.0-6.0T	7.0T	5.0-6.0T	7.0T	5.0-7.0T	5.0-7.0T	(mm)							
<b>2-Stage Limited Free-Lift (LFL) Mast</b>																
3000	2500	2625	3955	4080	4425	4425	205	205	590	10	12	5000	6000	7000	2176	2214
3300	2650	2775	4255	4380	4725	4725	205	205	590	10	12	5000	6000	7000	2224	2262
3500	2750	2875	4455	4580	4925	4925	205	205	590	10	12	5000	6000	7000	2256	2290
3750	2875	3000	4705	4830	5175	5175	205	205	590	10	12	5000	6000	7000	2297	2329
4000	3050	3175	4955	5080	5425	5425	205	205	590	10	12	5000	6000	7000	2432	2494
4500	3300	3425	5455	5580	5925	5925	205	205	590	6	6	5000	6000	7000	2512	2570
5000	3550	3675	5955	6080	6425	6425	205	205	590	6	6	5000	6000	7000	2592	2694
5500	3850	3975	6455	6580	6925	6925	205	205	590	3	6	4750	5820	6620	2772	2874
6000	4100	4225	6955	7080	7425	7425	205	205	590	3	6	4410	5400	6420	2842	2954
<b>2-Stage Full Free-Lift (FFL) Mast</b>																
3000	2625		4110		4405		4425	1255	600	10	12	5000	6000	7000	2260	2260
3300	2775		4410		4705		4725	1405	600	10	12	5000	6000	7000	2305	2305
3500	2875		4610		4905		4925	1505	600	10	12	5000	6000	7000	2345	2345
3750	3000		4860		5155		5175	1630	600	10	12	5000	6000	7000	2385	2385
4000	3175		5110		5405		5425	1805	600	10	12	5000	6000	7000	2490	2490
<b>3-Stage Full Free-Lift (FFL) Mast</b>																
4000	2505		5080		5405		1460	-325	635	6	6	4830	5760	6650	2729	2729
4350	2630		5430		5755		1585	-325	635	6	6	4760	5670	6560	2784	2784
4500	2680		5580		5905		1635	-325	635	6	6	4730	5630	6510	2812	2812
4800	2780		5880		6205		1735	-325	635	6	6	4660	5550	6430	2849	2849
5000	2880		6080		6405		1835	-325	635	6	6	4620	5490	6370	2889	2889
5400	3005		6480		6805		1960	-325	635	3	6	4520	5380	6170	2944	2944
6000	3305		7080		7405		2260	-325	635	3	6	4310	5160	5540	3164	3164
6500	3530		7580		7905		2485	-325	635	3	6	3780	4620	4950	3334	3334

**J5.0-7.OXTLG (WITH SIDESHIFT) MAST DIMENSIONS**

Maximum Fork Height	Overall Extended Height						Free lift		Load Distance	Mast Tilt		Load center (600mm) 1845mm Integral Sideshift Carriage (Hook Type forks)			Mast weight	
	Lowered Height		Without LBR		With LBR		Without LBR	With LBR		Forward	Back	5.0T	6.0T	7.0T	5.0-6.0T	7.0T
	5.0-6.0T	7.0T	5.0-6.0T	7.0T	5.0-6.0T	7.0T	5.0-7.0T	5.0-7.0T	(mm)							
<b>2-Stage Limited Free-Lift (LFL) Mast</b>																
3000	2500	2625	3955	4080	4425	4425	205	205	590	10	12	4620	5550	6820	2521	2559
3300	2650	2775	4255	4380	4725	4725	205	205	590	10	12	4610	5540	6810	2569	2607
3500	2750	2875	4455	4580	4925	4925	205	205	590	10	12	4600	5540	6800	2601	2635
3750	2875	3000	4705	4830	5175	5175	205	205	590	10	12	4590	5530	6800	2642	2674
4000	3050	3175	4955	5080	5425	5425	205	205	590	10	12	4560	5500	6760	2777	2839
4500	3300	3425	5455	5580	5925	5925	205	205	590	6	6	4550	5480	6750	2857	2915
5000	3550	3675	5955	6080	6425	6425	205	205	590	6	6	4500	5460	6610	2937	3039
5500	3850	3975	6455	6580	6925	6925	205	205	590	3	6	3690	4610	6210	3117	3219
6000	4100	4225	6955	7080	7425	7425	205	205	590	3	6	3430	4250	6170	3187	3299
<b>2-Stage Full Free-Lift (FFL) Mast</b>																
3000	2625		4110		4405		4425	1255	600	10	12	4580	5510	6450	2605	2605
3300	2775		4410		4705		4725	1405	600	10	12	4570	5500	6440	2650	2650
3500	2875		4610		4905		4925	1505	600	10	12	4560	5500	6430	2690	2690
3750	3000		4860		5155		5175	1630	600	10	12	4550	5490	6420	2730	2730
4000	3175		5110		5405		5425	1805	600	10	12	4530	5460	6400	2835	2835
<b>3-Stage Full Free-Lift (FFL) Mast</b>																
4000	2505		5080		5405		1460	-325	635	6	6	4390	5220	6040	3074	3074
4350	2630		5430		5755		1585	-325	635	6	6	4740	5140	5960	3129	3129
4500	2680		5580		5905		1635	-325	635	6	6	4280	5100	5920	3157	3157
4800	2780		5880		6205		1735	-325	635	6	6	4210	5030	5850	3194	3194
5000	2880		6080		6405		1835	-325	635	6	6	4160	4970	5790	3234	3234
5400	3005		6480		6805		1960	-325	635	3	6	4060	4870	5680	3289	3289
6000	3305		7080		7405		2260	-325	635	3	6	3480	4270	5260	3509	3509
6500	3530		7580		7905		2485	-325	635	3	6	2920	3650	4670	3679	3679

Note: For integral sideshift deduct 50kg from stated capacity, all ratings with 1070 mm forks, dual tyre capacities available upon request

# HYSTER® DEALERS



Contact your nearest  
Hyster® Dealership by  
visiting [www.hyster.com](http://www.hyster.com)



## HYSTER PACIFIC

1/23 Rowood Road, Prospect NSW 2148  
Tel: +61 (2) 9795 3800 Fax: +61 (2) 9792 8484

## HYSTER ASIA

2 Venture Drive, #23-28 Vision Exchange, Singapore 608526  
Tel: +65 6863 3387 Fax: +65 6863 3349

[www.hyster.com](http://www.hyster.com)



HysterAsiaPacific



HysterAsiaPacific



Hyster Asia-Pacific