



[WWW.HYSTER.COM](http://WWW.HYSTER.COM)

**INTERNAL COMBUSTION  
COUNTERBALANCED FORKLIFT**  
**PRODUCT BROCHURE**

# H8.0-10.0XT6

---



# OVERVIEW

---

The Hyster® XT Series was engineered for operations looking for a reliable, cost-effective solution to get the job done - all backed by the Hyster name.

## THE RANGE

The range consists of 8,000 - 10,000kg. IC counterbalance, pneumatic tyre forklift trucks, available in two different capacities;

**8,000KG – H8.0XT6**

**10,000KG – H10.0XT6**

Each model is available with diesel engines, a choice of electronic ZF transmission or optional 2-speed forward / 2-speed reverse powershift transmission and a choice of oil immersed brakes or drum brakes to suit varying application requirements.

## EASY TO OPERATE

The ergonomically designed operator compartment, with a familiar automotive layout, means that drivers will be able to work comfortably. A range of standard features and options allows the truck to be configured to the needs of the application.

## SERVICEABILITY

Due to the simplicity of the components and specifications, servicing can be carried out quickly and easily.

## LOW COST OF OWNERSHIP

The use of high quality, robust components, efficient filtration and excellent cooling helps contribute to reliable operations and lower wear and tear. This, together with the fast availability of cost effective replacement parts helps to reduce service and maintenance requirements and costs.

## SAFETY AND STABILITY

- Wide-view mast
- High-strength overhead guard
- Muffler and engine protective system
- Low centre of gravity

## COMFORT

- 3.5" Colour LCD
- Large foot room on floor plate
- Hand parking brake lever with button reduces fatigue in operation
- Small diameter steering wheel with adjustable steering column

## EASY MAINTENANCE

- Large access area for service and repairs
- Simple components

## RELIABILITY AND EXCHANGEABILITY

- One piece welded overhead guard
- Exchangeable components across models

## ENVIRONMENTAL PROTECTION

- Noise isolation material
- Environmentally-aware design



# FEATURES

---

## 1 HIGH-STRENGTH OHG

The overhead guard features profiled steel to enhance operator protection.

## 2 FULL-SUSPENSION SEAT

A full-suspension seat that offers excellence in comfort, with an operator presence system fitted as standard. Non suspension seats are optional.

## 3 INDUSTRIAL ENGINE

The well known Tier 3 or Stage V Cummins 3.8L engine provides sufficient power for continued operation and optimal reliability.

## 4 DRIVE TRAIN

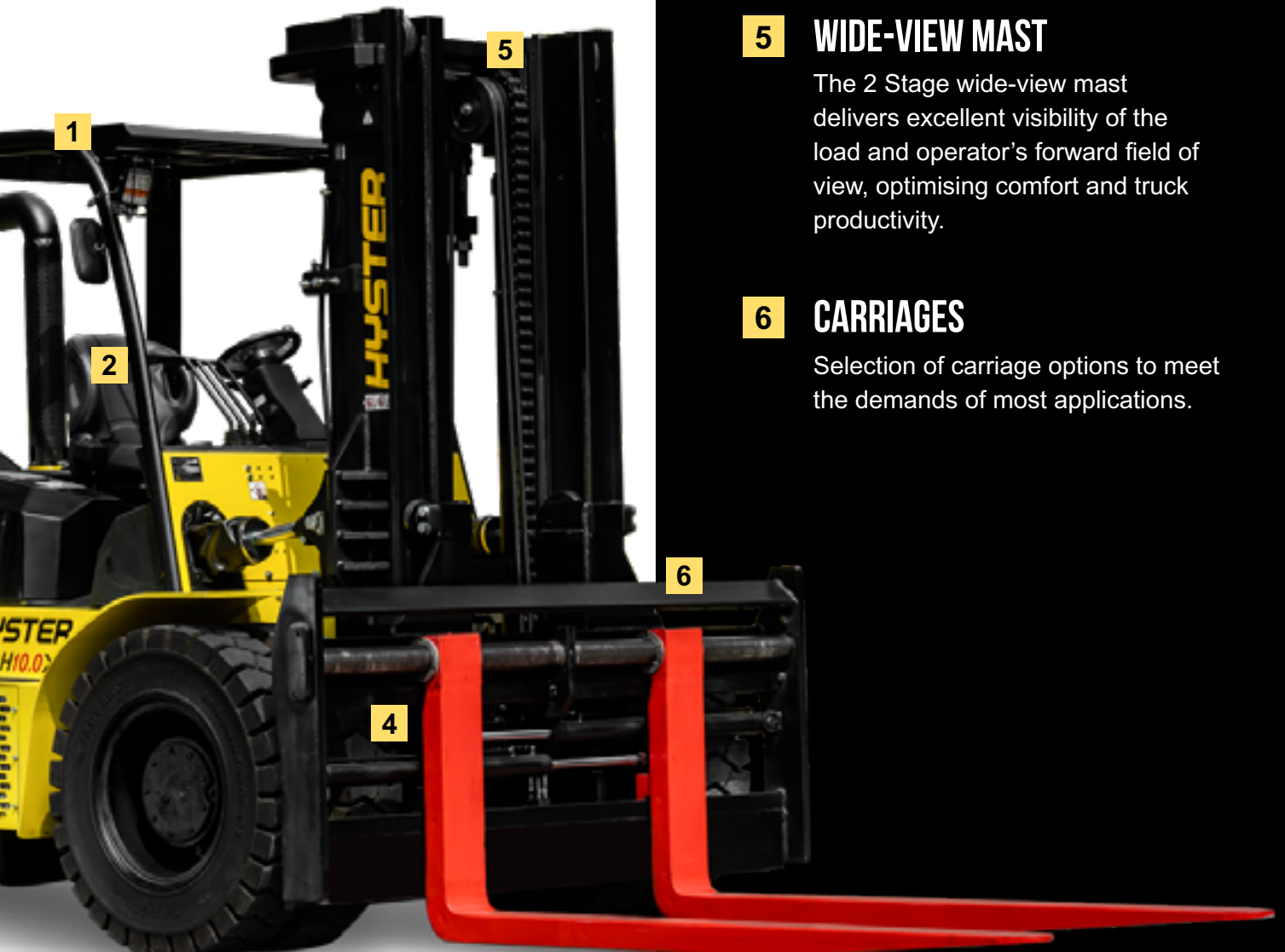
Heavy duty and robust electronic ZF transmission with three forward and reverse gears. Optional powershift transmission with two forward and reverse gears.

## 5 WIDE-VIEW MAST

The 2 Stage wide-view mast delivers excellent visibility of the load and operator's forward field of view, optimising comfort and truck productivity.

## 6 CARRIAGES

Selection of carriage options to meet the demands of most applications.



# KEY FEATURES

---



## EASE OF ACCESS

Multi-step entry system with low step height to reduce effort while entering and exiting.



## CONTROLS

Mechanical hydraulic levers provide precise control of the mast and carriage delivering excellent load handling.



## SERVICEABILITY

Simple electrical system with a secure electrical and battery compartment.



## COST OF OWNERSHIP

Oil immersed brakes improve performance and reduce maintenance costs.



## ENGINE SPECIFICATIONS

### QSF 3.8

- Electronic High Pressure Common Rail (HPCR) fuel system
- Wastegated turbocharger with CAC
- Remote Electronic Control Module (ECM)
- Globally serviceable and after-market support

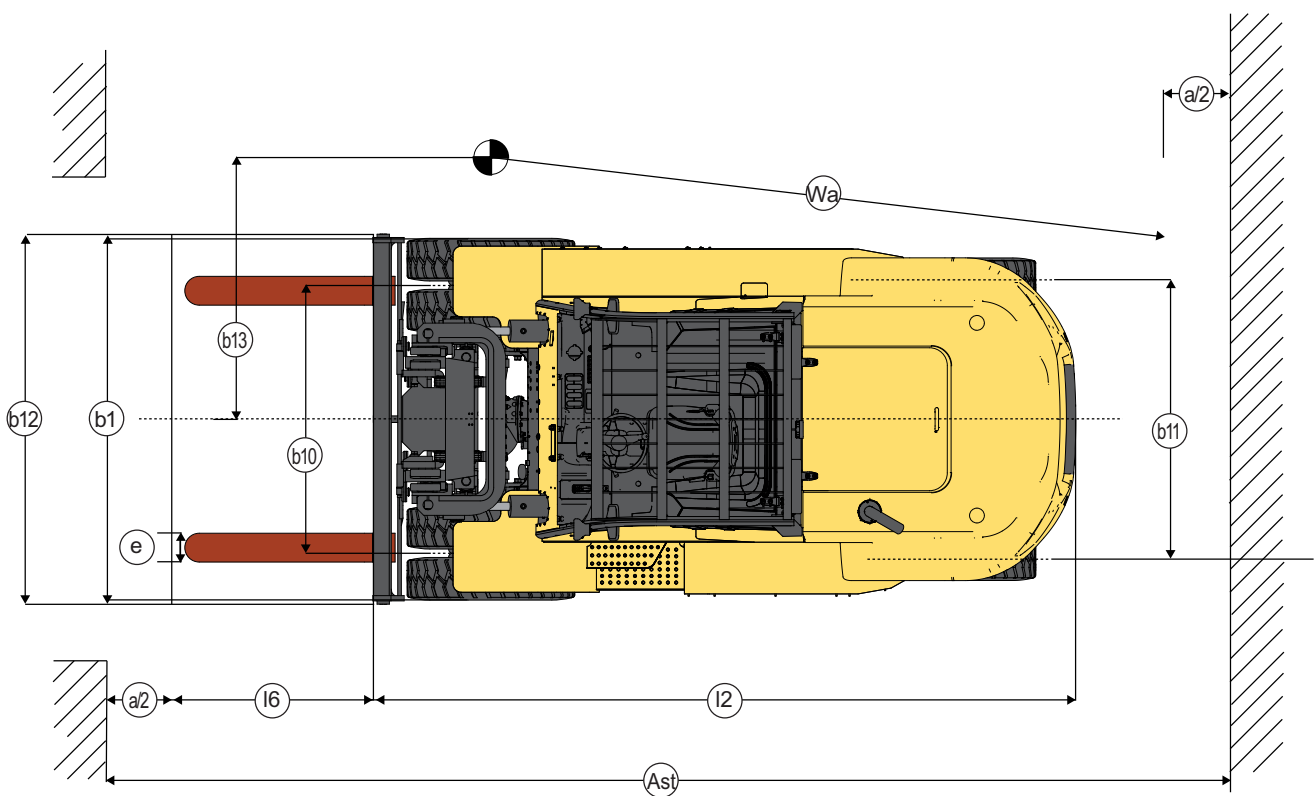
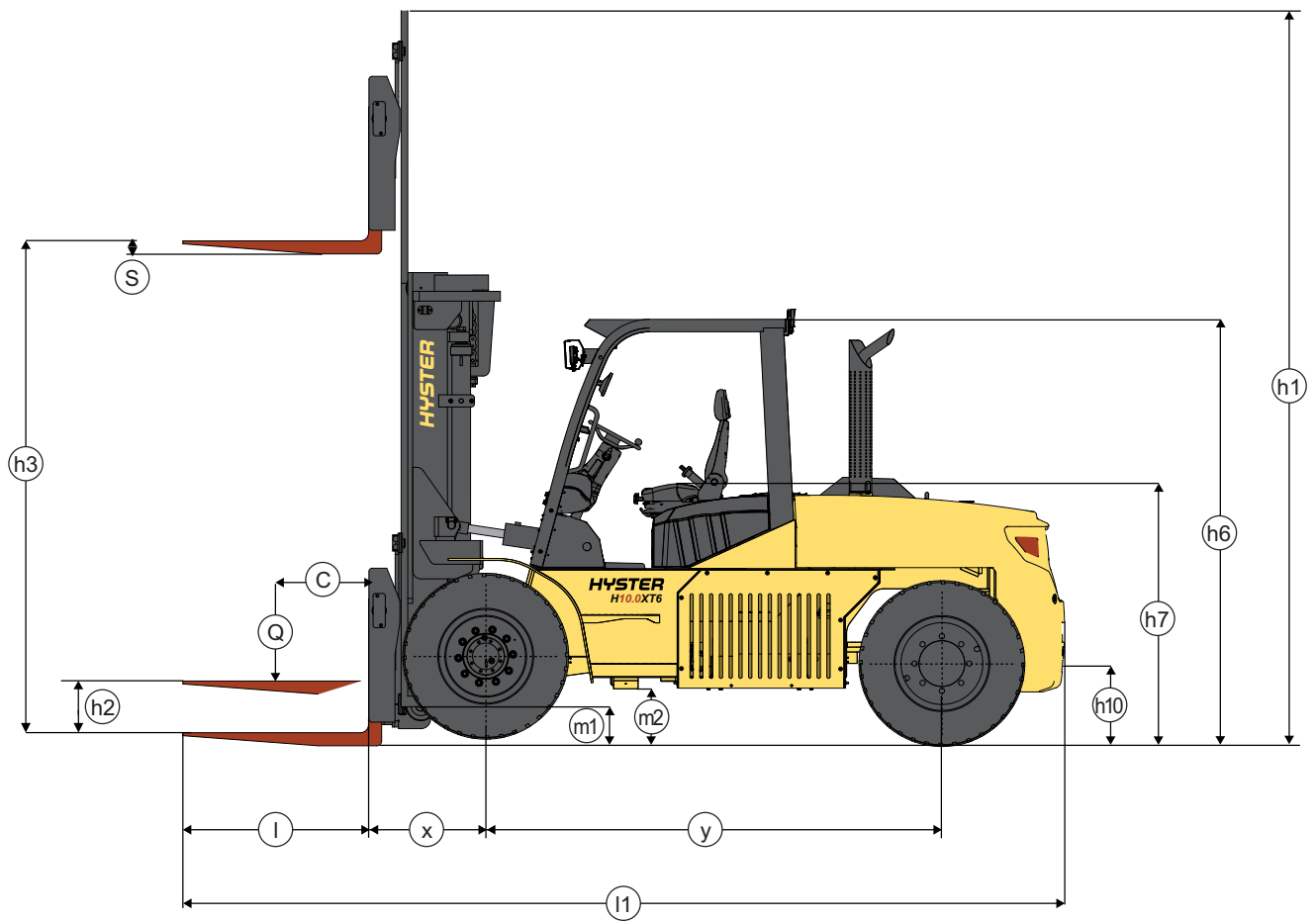
### QSF 3.8 C115 (T3 / R96) engine

- 115 hp (86kw) @ 2200 rpm
- Peak Torque is 470 Nm @ 1100~1700 rpm

### QSF 3.8 C121 (Stage V / GB4 / T4 / KMOE5) engine

- 121 hp (90 kW) @ 2200 rpm
- Peak Torque is 500 Nm @ 1500 rpm

# DIMENSION



# SPECIFICATION

DISTINGUISHING MARK	1.1	Manufacturer			HYSTER	
	1.2	Manufacturer's type designation			H8.0XT6	H10.0XT6
	1.3	Drive: electric(battery or mains, ...), diesel, petrol, fuel gas			Diesel	
	1.4	Operator type: hand, pedestrian, standing, seated, order-picker			Seated	
	1.5	Rated capacity / rated load	Q	kg	8000	10000
	1.6	Load centre distance	c	mm	600	
	1.8	Load distance, centre of drive axle to fork	x	mm	723	
	1.9	Wheelbase	y	mm	2860	
	WEIGHT	2.1	Service weight		kg	12720
2.2		Axle loading, laden front / rear		kg	19460/1260	21670/2100
2.3		Axle loading, unladen front / rear		kg	6790/5930	6860/6910
TYRES/CHASSIS	3.1	Tyres: Solid rubber, superelastic, pneumatic		Type	Pneumatic	
	3.2	Tyre size, front			9.00-20 14PR	
	3.3	Tyre size, rear			9.00-20 14PR	
	3.5	Wheels, number front / rear (x = driven wheels)			4/2	
	3.6	Tread, front	$b_{10}$	mm	1918	
	3.7	Tread, rear	$b_{11}$	mm	1723	
DIMENSIONS	4.1	Tilt of mast / fork carriage, forward / backward	$\alpha / \beta$	°	6/12	
	4.2	Height, mast lowered	$h_1$	mm	2850	
	4.3	Free lift	$h_2$	mm	170	
	4.4	Lift	$h_3$	mm	3047	
	4.5	Height, mast extended	$h_4$	mm	4249	
	4.7	Height of overhead guard(cabin)	$h_6$	mm	2581	
	4.8	Seat height relating to SIP / stand height	$h_7$	mm	1465	
	4.12	Coupling height	$h_{10}$	mm	485	
	4.19	Overall length	$l_1$	mm	5500	
	4.20	Length to face of forks	$l_2$	mm	4280	
	4.21	Overall width	$b_1$	mm	2164	
	4.22	Fork dimensions DIN ISO 2331	s/e/l	mm	80/175/1220	
	4.23	Fork carriage ISO 2328. Class/type, A, B			Pin type	
	4.24	Fork-carriage width	$b_3$	mm	2250	
	4.31	Ground clearance, laden, below mast	$m_1$	mm	225	
	4.32	Ground clearance, centre of wheelbase	$m_2$	mm	302	
	4.33	Load dimension $b_{12} \times l_6$	$b_{12} \times l_6$	mm	1200X1200	
	4.34	Aisle width for pallets 1000 x 1200 crossways	$A_{st}$	mm	6020	
	4.35	Turning radius	$W_a$	mm	3900	
	4.36	Internal turning radius	$b_{13}$		1587	
PERFORMANCE DATA	5.1	Travel speed, laden / unladen		km/h	21/25	
	5.2	Lift speed, laden / unladen		mm/s	320/340	
	5.3	Lowering speed, laden/unladen		m/s	390/290	
	5.5	Drawbar pull laden/unladen		KN	58/52	
	5.7	Gradeability, laden/unladen		%	20/20	
COMBUSTION-ENGINE	7.1	Engine manufacturer/type			Cummins QSF3.8	
	7.2	Engine power according to ISO 1585		kW	86	
	7.3	Rated speed		min <sup>-1</sup>	2200	
	7.4	Number of cylinders/displacement		(-)/(cm <sup>3</sup> )	4	
	7.5	Fuel consumption according to DIN EN 16796		l/h or kg/h	9.2kg/h	
	7.6	Turnover output according to VDI 2198		t/h	630t/h	
	7.7	Turnover efficiency according to VDI 2198		t/l or t/kg	48.8t/kg	
	7.9	Vehicle electrical system voltage		V	24	
	7.10	Battery voltage/nominal capacity		(V)/(Ah)	24/80	
	ADDITIONAL DATA	10.1	Operating pressure for attachments		bar	140
10.2		Oil volume for attachments		l/min	140	
10.4		Fuel tank, capacity		l	140	
10.7		Sound pressure level at the driver's seat		dB (A)	87	

# CAPACITIES

Mast Type	Maximum Fork Height	Overall Extended Height		Free lift	Load Distance	Mast Tilt		Capacity 600mm load centre Dual front tyre		Mast weight	
		Lowered Height	Without LBR	Without LBR		Forward	Back	8.0T	10.0T	8.0T	10.0T
		8.0-10.0T	8.0-10.0T	8.0-10.0T							
		mm	mm	mm		mm	mm	Deg	Deg	kg	kg
2-Stage LFL	3000	2850	4285	210	718	6	12	8000	10000	3128	3128
	3300	3000	4585	210	718	6	12	8000	10000	3212	3212
	3500	3100	4785	210	718	6	12	8000	10000	3257	3257
	3750	3225	5035	210	718	6	12	8000	10000	3307	3307
	4000	3400	5335	210	718	6	12	8000	10000	3447	3447
	4500	3650	5835	210	718	6	12	8000	10000	3552	3552
	5000	3900	6335	210	718	6	6	7800	10000	3664	3664
	5500	4200	6885	210	718	3	6	7400	9000	3905	3905
	6000	4450	7385	210	718	3	6	7000	8000	4015	4015

# STANDARD FEATURES AND OPTIONS

PERFORMANCE	STD	OPT
Cummins QSF3.8 C115 (T3/R96)	x	
Cummins F3.8 C121 (Stage V/GB4/T4/Korea 5)		x
Wastegate turbocharger, water cooled	x	
Hibernate Idle	x	
Powertrain protection system	x	
Heavy duty air intake	x	
Heavy duty air intake with pre cleaner		x
Basic 2F/2R Electronic control transmission		x
ZF 3F/3R Electronic control transmission	x	
Drive axle with drum brakes		x
Drive axle with wet brakes	x	
DRIVE	STD	OPT
09.00-20-14PR pneumatic, tires	x	
Speed limiter		x
LIFT	STD	OPT
2 stage limited freelif mast	x	
6° forward /12° back tilt	x	
6° forward /6° back tilt		x
3° forward /6° back tilt		x
HANDLING	STD	OPT
2250mm (89") wide individual fork positioner	x	
2250mm (88") wide sideshift, simultaneous fork positioner		x
2450mm (96") wide sideshift, simultaneous fork positioner		x
2650mm (104") wide sideshift, simultaneous fork positioner		x
1220 x 175 x 80mm PIN type standard tapered fork	x	
Selection of alternative fork lengths		x
ERGONOMICS	STD	OPT
Overhead guard	x	
Top screen		x
Partial cab operator compartment		x
Full steel cab operator compartment		x
Heavy duty air conditioning		x
Heater		x
Operator fan		x
Front, top and rear wipers		x

ERGONOMICS (continued)	STD	OPT
"I"-pattern front wiper		x
Isolated cabin mounting		x
Operator presence system	x	
Mechanical suspension seat	x	
Low backrest seat	x	
Vinyl seat cover	x	
Floor mat	x	
Multifunction display panel	x	
Steering wheel with spinner knob	x	
Directional control lever on steering column	x	
Manual park brake	x	
Tilting steering column	x	
VISIBILITY	STD	OPT
Internal mirrors	x	
LED work lights	x	
Turn signals & marker lights (LED)	x	
Rear view camera system		x
Mast camera with display screen		x
Radar object detection system		x
OPERATION	STD	OPT
24 volt electrical system	x	
Horn	x	
Visible alarm – amber strobe light, keyswitch activated	x	
Audible alarm – reverse direction activated 82–102 dB(A), self-adjusting	x	
Seatbelt interlock for engine start and truck operation		x
Hyster tracker wireless asset management - monitoring		x
Hyster tracker wireless asset management - access / verification		x
APPEARANCE	STD	OPT
Hyster yellow paint base truck	x	
SUPPLEMENTAL	STD	OPT
Literature package	x	
Operator's manual	x	
Warranty: 12 Months / 2,000 hours parts & labor manufacturer's warranty	x	




### **HYSTER PACIFIC**

1/23 Rowood Road, Prospect NSW 2148

### **HYSTER ASIA**

2 Venture Drive, #23-28 Vision Exchange, Singapore 608526

©2024 Hyster-Yale Materials Handling, Inc. all rights reserved. HYSTER and  are trademarks of Hyster-Yale Materials Handling, Inc. Hyster products are subject to change without notice. Trucks may be shown with optional equipment.