

J10-18XD SERIES

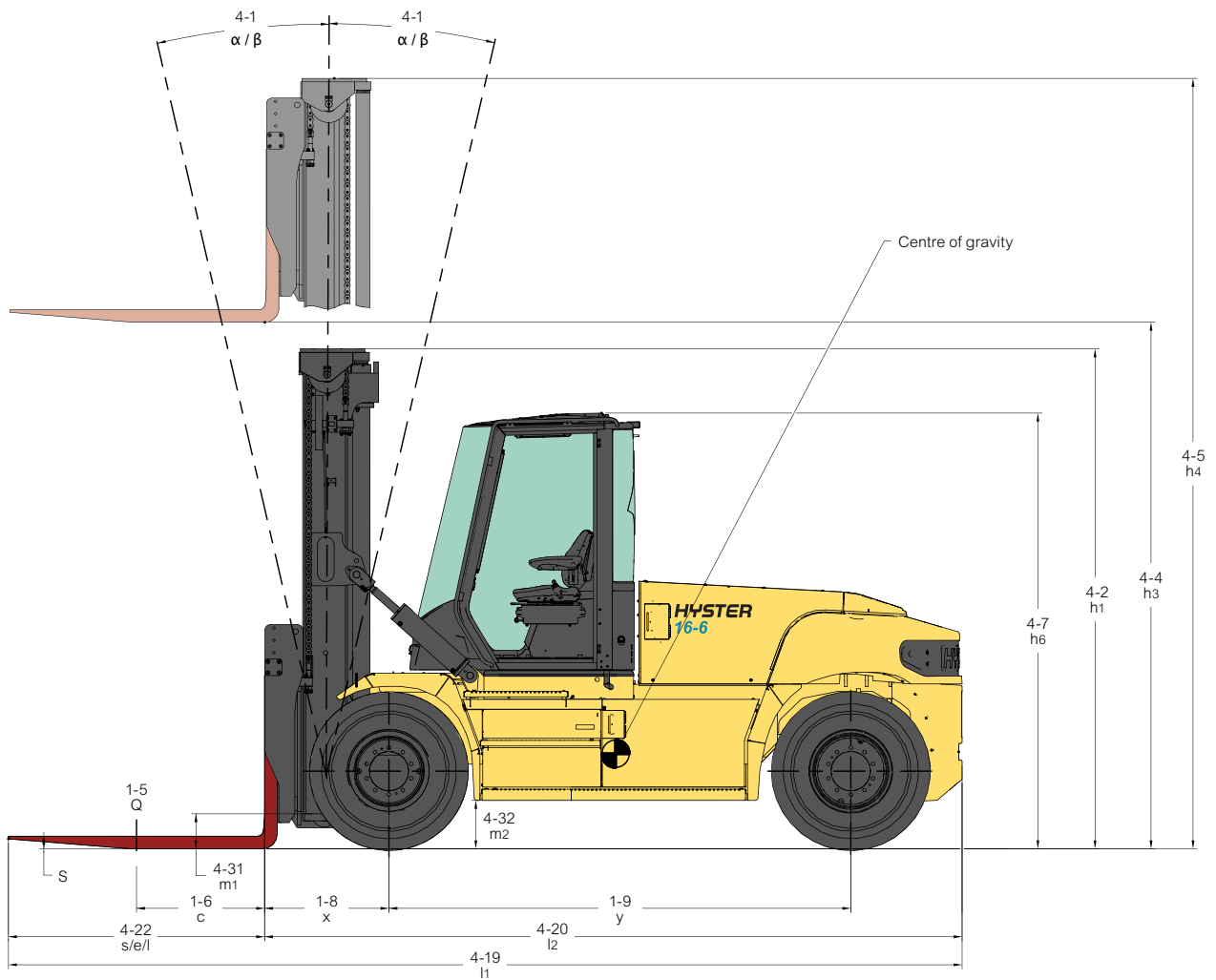
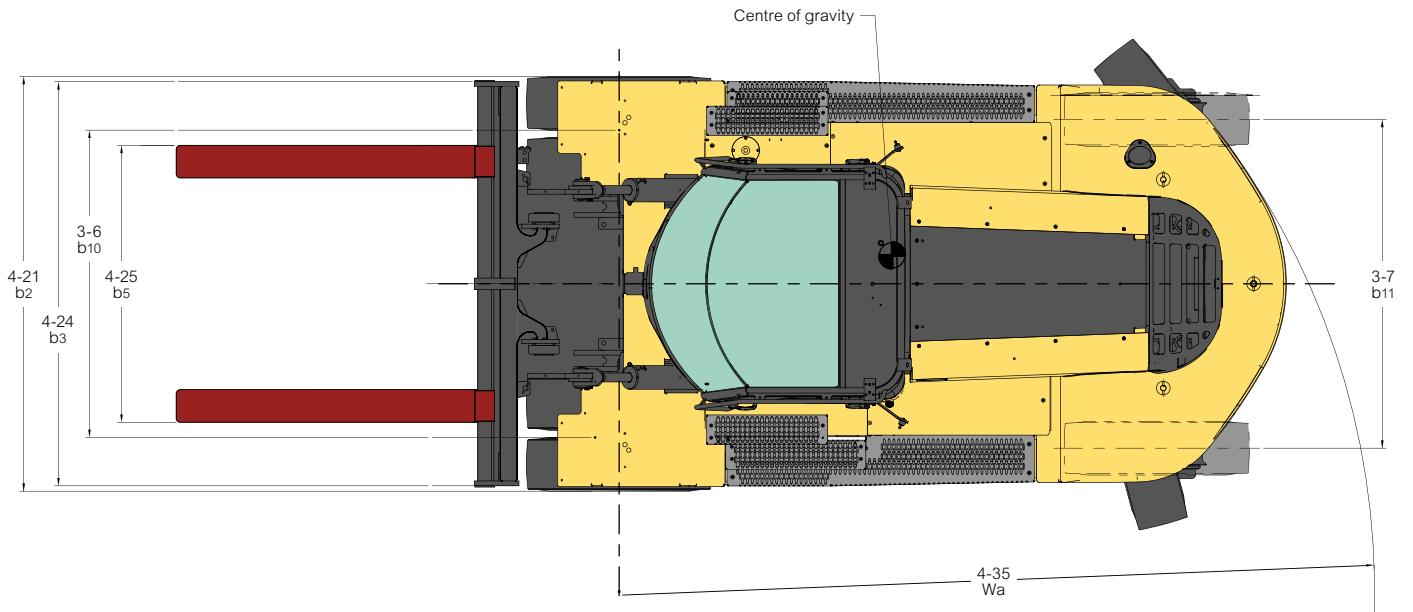


ELECTRIC HEAVY DUTY FORKLIFT
PRODUCT TECHNICAL GUIDE

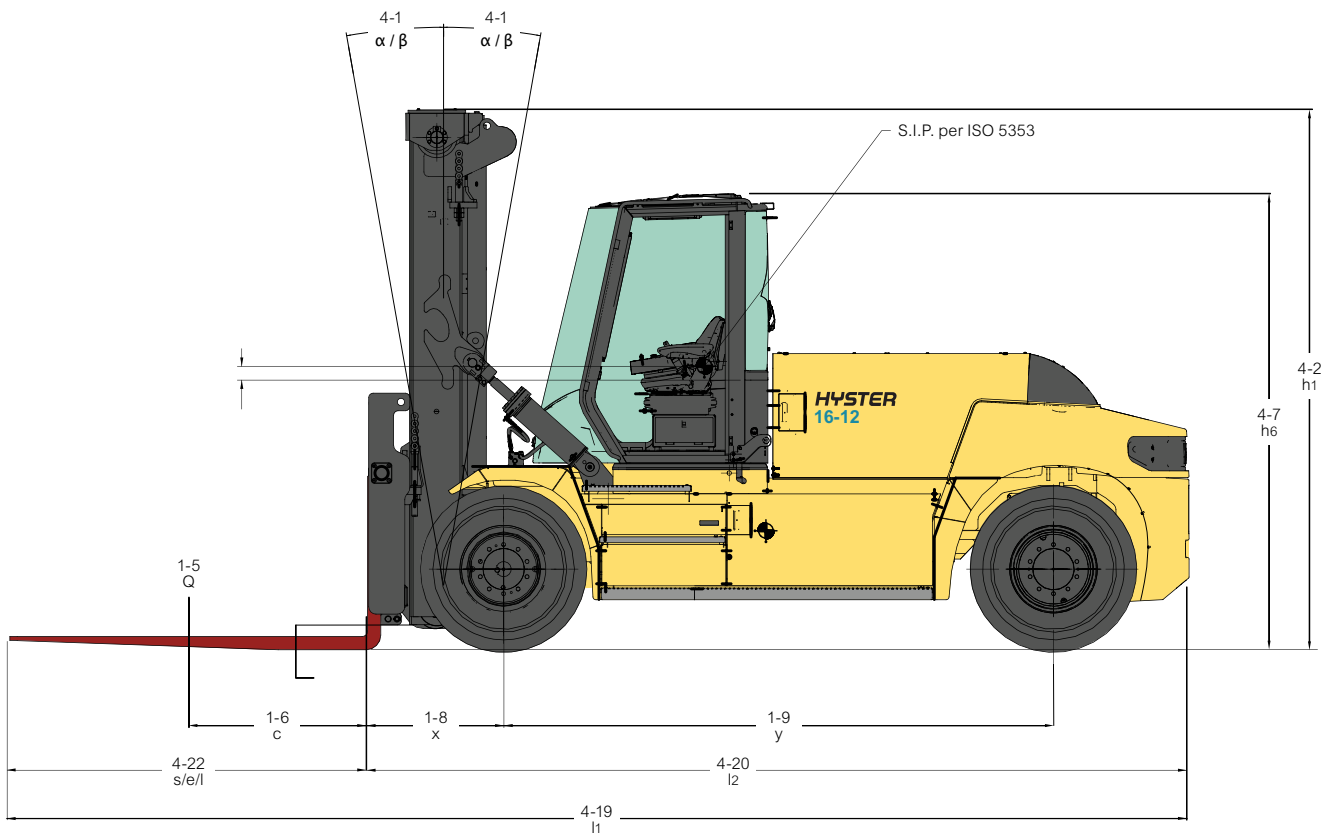
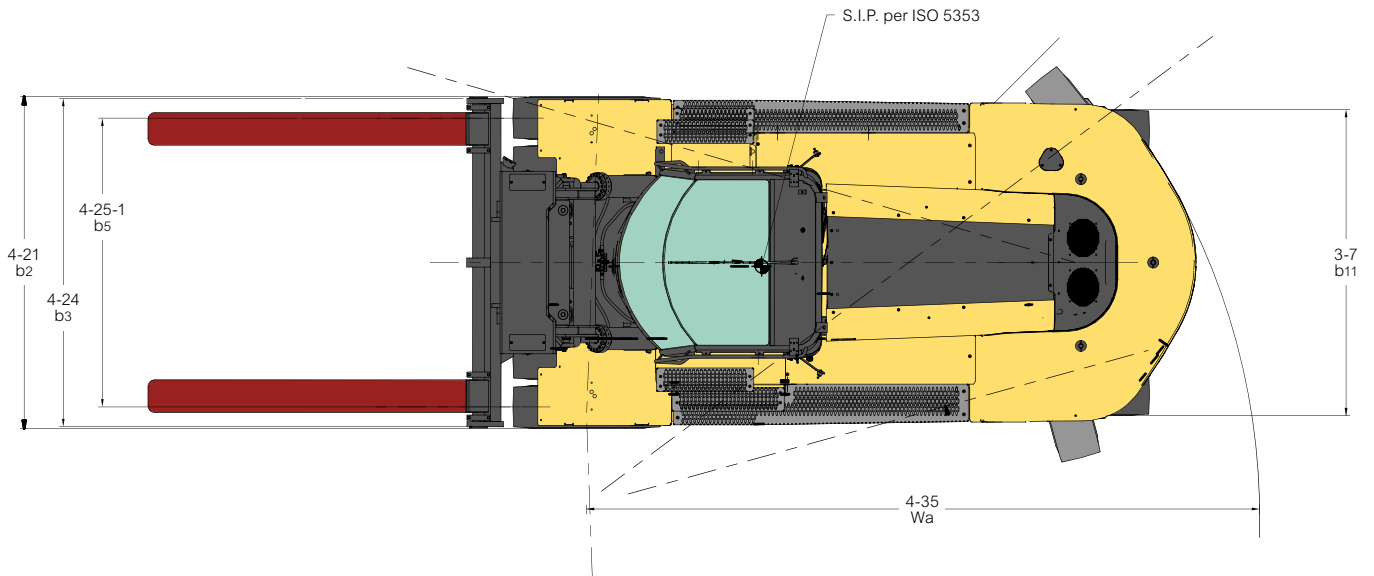


WWW.HYSTER.COM

TRUCK DIMENSIONS NORMAL SPINE



TRUCK DIMENSIONS RAISED HOOD SPINE



J10XD6 / J12D6 / J13XDS6 / J14XDS6 SPECIFICATIONS

			HYSTER									
			J10XD6		J12XD6		J13XDS6		J14XDS6			
GENERAL	1-1	Manufacturer	HYSTER									
	1-2	Model designation	J10XD6		J12XD6		J13XDS6		J14XDS6			
	1-3	Powertrain / drivetrain	Electric									
	1-4	Operator type	Seated									
	1-5	Load capacity at load center, nominal	10500		12500		13500		14500			
	1-6	Load center	600									
	1-8	Load distance ⁽¹⁾	809									
	1-9	Wheelbase	2900									
	WEIGHT	2-1	Service weight*	14670		16020		19053		19524		
2-2		Axle loading with load, front / rear	23421	1748	26163	2357	29577	2976	31134	2890		
2-3		Axle loading without load, front / rear	7820	6850	7590	8430	9145	9907	9189	10335		
WHEELS	3-1	Tire type	Pneumatic									
	3-2	Tire size, front	10.00-20 16PR				12.00-20 20PR					
	3-3	Tire size, rear	10.00-20 16PR				12.00-20 20PR					
	3-5	Number of tires, front / rear (X driven)	4x / 2									
	3-6	Tread, front	b10	mm	1842							
	3-7	Tread, rear	b11	mm	2020		2018					
	DIMENSIONS	4-1	Mast tilt, forward / backward	α / β	(°)	15 / 12						
4-2		Height, mast lowered ⁽²⁾	h1	mm	4135				4193			
4-3		Freelift	h2	mm	-							
4-4		Lift ⁽³⁾	h3	mm	4925				4910			
4-5		Height, mast extended	h4	mm	6597				6648			
4-7		Height of overhead guard (open cab)	h6	mm	3055				3083			
4-7-1		Height of overhead guard (closed cab)	h6	mm	3082				3110			
4-7-2		Height of overhead guard (closed cab w/ airco)	h6	mm	3082				3110			
4-7-3		Height of overhead guard (closed cab w/ strobe lights)	h6	mm	3177				3205			
4-7-4		Height of overhead guard (closed cab w/ work lights)	h6	mm	3231				3259			
4-7-5		Height of overhead guard (closed cab w/ airco & strobe lights)	h6	mm	3207				3235			
4-8		Seat height to SIP ⁽⁴⁾	h7	mm	1875				1903			
4-12		Coupling height	h10	mm	661				689			
4-19		Overall length	l1	mm	5724				6544			
4-20		Length to face of forks	l2	mm	4504				4717			
4-21		Overall width across drive tires	b2	mm	2490				2541			
4-22		Fork dimensions ISO 2331	s/e/l	mm	75 / 200 / 1220				90 / 200 / 1830			
4-23		Carriage type			75mm std pin type				90mm std pin type			
4-24		Carriage width	b3	mm	2396				2496			
4-25		Width over forks (min / max)	b5	mm	534	2256	534	2256	534	2256	534	2356
4-31		Ground clearance, lowest point	m1	mm	253				245			
4-32		Ground clearance, center of wheelbase	m2	mm	313				341			
4-33-1		Load size	w x l	mm	1200 x 1200							
4-34-1-1		Aisle width (a=10%)	Ast	mm	6728				6896			
4-34-1-2		Aisle width (a=0)	Ast	mm	6116				6269			
4-34-1-3		Aisle width (a=200 mm)	Ast	mm	6316				6469			
4-33-2		Load size	w x l	mm	1200 x 800							
4-34-2-1		Aisle width (a=10%)	Ast	mm	6288				6456			
4-34-2-2		Aisle width (a=0)	Ast	mm	8468				5869			
4-34-2-3		Aisle width (a=200 mm)	Ast	mm	8668				6069			
4-35		Outside turning radius	Wa	mm	4107				4180			
4-36		Internal turning radius ⁽⁶⁾	b13	mm	1538				1453			
PERFORMANCE	5-1	Travel speed, with / without load**			25							
	5-2	Lifting speed, with / without load			0.51 / 0.59		0.42 / 0.44					
	5-2-1	Lifting speed, with 70% load			-							
	5-3	Lowering speed with / without load			0.56 / 0.54				0.54 / 0.48			
	5-5	Drawbar pull - 1 mph (1.6 km/h), with / without load			23 / 25				30 / 33			
	5-6	Drawbar pull - max, with / without load			48 / 50				63 / 65		62 / 65	
	5-7	Gradeability - 1 mph (1.6 km/h), with / without load ⁽⁵⁾			10 / 18		8 / 16		10 / 18		9 / 17	
	5-8	Gradeability - max, with / without load ⁽⁵⁾			20 / 34		17 / 31		20 / 31		19 / 30	
10-7	Sound pressure level at the driver's seat		dB (A)	69.6								
10-7-1	Sound power level during the working cycle		dB (A)	98.1								

(1) Centre of drive axle to front face of forks.

(2) Unladen with new tyres.

(3) Bottom of forks.

(4) Full suspension seat in depressed position.

(5) Gradeability figures are provided for comparison of tractive performance, but are not intended to endorse the operation of vehicle on the stated inclines.

(6) Distance centre truck to centre of internal turning radius.

*Truck models based on 1 pack battery and Standard pin CRG w/o fork positioning.

**Travel speed laden/unladen limited at 25km/h as factory default.

J13XD6 / J14XD6 / J16XD6 SPECIFICATIONS

GENERAL	1-1	Manufacturer			HYSTER				
	1-2	Model designation		J13XD6	J14XD6	J16XD6			
WEIGHT	1-3	Powertrain / drivetrain		Electric					
	1-4	Operator type		Seated					
WHEELS	1-5	Load capacity at load center, nominal		13500	14500	16500			
	1-6	Load center		600					
	1-8	Load distance ⁽¹⁾		889					
	1-9	Wheelbase		3300					
	2-1	Service weight*		18410		18960		19930	
	2-2	Axle loading with load, front / rear	kg	29404	2506	30768	2692	33793	2637
	2-3	Axle loading without load, front / rear	kg	9813	8597	9725	9234	9848	10082
	3-1	Tire type		Pneumatic					
	3-2	Tire size, front		12.00-20 20PR					
DIMENSIONS	3-3	Tire size, rear		12.00-20 20PR					
	3-5	Number of tires, front / rear (X driven)		4x / 2					
	3-6	Tread, front	b10	mm	1842				
	3-7	Tread, rear	b11	mm	2018				
	4-1	Mast tilt, forward / backward	α / β	(°)	15 / 12				
	4-2	Height, mast lowered ⁽²⁾	h1	mm	4193				
	4-3	Freelift	h2	mm	-				
	4-4	Lift ⁽³⁾	h3	mm	4910				
	4-5	Height, mast extended	h4	mm	6648				
	4-7	Height of overhead guard (open cab)	h6	mm	3083				
	4-7-1	Height of overhead guard (closed cab)	h6	mm	3110				
	4-7-2	Height of overhead guard (closed cab w/ airco)	h6	mm	3110				
	4-7-3	Height of overhead guard (closed cab w/ strobe lights)	h6	mm	3205				
	4-7-4	Height of overhead guard (closed cab w/ work lights)	h6	mm	3259				
	4-7-5	Height of overhead guard (closed cab w/ airco & strobe lights)	h6	mm	3235				
	4-8	Seat height to SIP ⁽⁴⁾	h7	mm	1903				
	4-12	Coupling height	h10	mm	689				
	4-19	Overall length	l1	mm	6814				
	4-20	Length to face of forks	l2	mm	4984				
	4-21	Overall width across drive tires	b2	mm	2541				
	4-22	Fork dimensions ISO 2331	s/e/l	mm	90 / 200 / 1830				
	4-23	Carriage type			90mm std pin type				
	4-24	Carriage width	b3	mm	2496				
	4-25	Width over forks (min / max)	b5	mm	534 / 2356				
	4-31	Ground clearance, lowest point	m1	mm	245				
	4-32	Ground clearance, center of wheelbase	m2	mm	341				
	4-33-1	Load size	w x l	mm	1200 / 1200				
4-34-1-1	Aisle width (a=10%)	Ast	mm	7328					
4-34-1-2	Aisle width (a=0)	Ast	mm	6662					
4-34-1-3	Aisle width (a=200 mm)	Ast	mm	6862					
4-33-2	Load size	w x l	mm	1200 x 800					
4-34-2-1	Aisle width (a=10%)	Ast	mm	6888					
4-34-2-2	Aisle width (a=0)	Ast	mm	6262					
4-34-2-3	Aisle width (a=200 mm)	Ast	mm	6462					
4-35	Outside turning radius	Wa	mm	4573					
4-36	Internal turning radius ⁽⁶⁾	b13	mm	1777					
PERFORMANCE	5-1	Travel speed, with / without load**		km/h					
	5-2	Lifting speed, with / without load		m/s					
	5-2-1	Lifting speed, with 70% load		-					
	5-3	Lowering speed with / without load		m/s					
	5-5	Drawbar pull - 1 mph (1.6 km/h), with / without load	kN	31 / 33		30 / 33			
	5-6	Drawbar pull - max, with / without load	kN	63 / 65		62 / 65			
	5-7	Gradeability - 1 mph (1.6 km/h), with / without load ⁽⁵⁾	%	10 / 19		9 / 18		8 / 17	
	5-8	Gradeability - max, with / without load ⁽⁵⁾	%	20 / 25		19 / 34		18 / 32	
10-7	Sound pressure level at the driver's seat		dB (A)		69.6				
10-7-1	Sound power level during the working cycle		dB (A)		98.1				

(1) Centre of drive axle to front face of forks.

(2) Unladen with new tyres.

(3) Bottom of forks.

(4) Full suspension seat in depressed position.

(5) Gradeability figures are provided for comparison of tractive performance, but are not intended to endorse the operation of vehicle on the stated inclines.

(6) Distance centre truck to centre of internal turning radius.

*Truck models based on 1 pack battery and Standard pin CRG w/o fork positioning.

**Travel speed laden/unladen limited at 25km/h as factory default.

J10XD12 / J12XD12 / J14XD12 SPECIFICATIONS

	Code	Description	HYSTER					
			J10XD12		J12XD12		J14XD12	
GENERAL	1-1	Manufacturer	HYSTER					
	1-2	Model designation	J10XD12		J12XD12		J14XD12	
	1-3	Powertrain / drivetrain	Electric					
	1-4	Operator type	Seated					
	1-5	Load capacity at load center, nominal	10500		12500		14500	
	1-6	Load center	1200					
	1-8	Load distance ⁽¹⁾	889				941	
	1-9	Wheelbase	3300		3500			
	WEIGHT	2-1	Service weight*	19108		20247		22740
2-2		Axle loading with load, front / rear	27140	2467	29758	2989	33886	3354
2-3		Axle loading without load, front / rear	9994	9114	9797	10450	10516	12224
WHEELS	3-1	Tire type	Pneumatic					
	3-2	Tire size, front	12.00-20 20PR				12.00 R 20	
	3-3	Tire size, rear	12.00-20 20PR				12.00 R 20	
	3-5	Number of tires, front / rear (X driven)	4x / 2					
	3-6	Tread, front	b10	mm	1842		1844	
	3-7	Tread, rear	b11	mm	2018		2020	
	DIMENSIONS	4-1	Mast tilt, forward / backward	α / β	(°)	15 / 12		6 / 10
4-2		Height, mast lowered ⁽²⁾	h1	mm	4193		4008	
4-3		Freelift	h2	mm	-			
4-4		Lift ⁽³⁾	h3	mm	4910			
4-5		Height, mast extended	h4	mm	6648			
4-7		Height of overhead guard (open cab)	h6	mm	3083			
4-7-1		Height of overhead guard (closed cab)	h6	mm	3110			
4-7-2		Height of overhead guard (closed cab w/ airco)	h6	mm	3110			
4-7-3		Height of overhead guard (closed cab w/ strobe lights)	h6	mm	3205			
4-7-4		Height of overhead guard (closed cab w/ work lights)	h6	mm	3259			
4-7-5		Height of overhead guard (closed cab w/ airco & strobe lights)	h6	mm	3235			
4-8		Seat height to SIP ⁽⁴⁾	h7	mm	1903			
4-12		Coupling height	h10	mm	689			
4-19		Overall length	l1	mm	7424	7624	7806	
4-20		Length to face of forks	l2	mm	4984	5184	5366	
4-21		Overall width across drive tires	b2	mm	2541			
4-22		Fork dimensions ISO 2331	s/e/l	mm	90 / 200 / 2440			
4-23		Carriage type			90mm std pin type		100mm std pin type	
4-24		Carriage width	b3	mm	2496		2540	
4-25		Width over forks (min / max)	b5	mm	534 / 2356		470 / 2440	
4-31		Ground clearance, lowest point	m1	mm	245		225	
4-32		Ground clearance, center of wheelbase	m2	mm	341			
4-33-1		Load size	w x l	mm	2400 x 2400			
4-34-1-1		Aisle width (a=10%)	Ast	mm	8648	9060	9037	
4-34-1-2		Aisle width (a=0)	Ast	mm	7862	8236	8215	
4-34-1-3		Aisle width (a=200 mm)	Ast	mm	8062	8436	8415	
4-33-2		Load size	w x l	mm	1930 x 1830		-	
4-34-2-1		Aisle width (a=10%)	Ast	mm	8021	8433	-	
4-34-2-2		Aisle width (a=0)	Ast	mm	7292	7666	-	
4-34-2-3		Aisle width (a=200 mm)	Ast	mm	7492	7866	-	
4-35		Outside turning radius	Wa	mm	4573	4947	4874	
4-36		Internal turning radius ⁽⁶⁾	b13	mm	1777	1940	1803	
PERFORMANCE	5-1	Travel speed, with / without load**			25			
	5-2	Lifting speed, with / without load			0.42 / 0.44		0.39 / 0.46	
	5-2-1	Lifting speed, with 70% load			-			
	5-3	Lowering speed with / without load			0.54 / 0.48		0.54 / 0.45	
	5-5	Drawbar pull - 1 mph (1.6 km/h), with / without load		kN	31 / 33	30 / 33	30 / 32	
	5-6	Drawbar pull - max, with / without load		kN	63 / 65		62 / 64	
	5-7	Gradeability - 1 mph (1.6 km/h), with / without load ⁽⁵⁾		%	11 / 18	10 / 17	8 / 15	
	5-8	Gradeability - max, with / without load ⁽⁵⁾		%	22 / 35	20 / 33	17 / 30	
10-7	Sound pressure level at the driver's seat		dB (A)	69.6				
10-7-1	Sound power level during the working cycle		dB (A)	98.1				

(1) Centre of drive axle to front face of forks.

(2) Unladen with new tyres.

(3) Bottom of forks.

(4) Full suspension seat in depressed position.

(5) Gradeability figures are provided for comparison of tractive performance, but are not intended to endorse the operation of vehicle on the stated inclines.

(6) Distance centre truck to centre of internal turning radius.

*Truck models based on 1 pack battery and Standard pin CRG w/o fork positioning.

**Travel speed laden/unladen limited at 25km/h as factory default.

J16XDS9 / J16XDS12 / J18XD6 SPECIFICATIONS

			HYSTER							
			J16XDS9		J16XDS12		J18XD6			
GENERAL	1-1	Manufacturer								
	1-2	Model designation			J16XDS9	J16XDS12	J18XD6			
	1-3	Powertrain / drivetrain								Electric
	1-4	Operator type								Seated
	1-5	Load capacity at load center, nominal				16400				18200
	1-6	Load center			900	1200	600			
	1-8	Load distance ⁽¹⁾								941
	1-9	Wheelbase								3500
	WEIGHT	2-1	Service weight*			22040	23940	21211		
2-2		Axle loading with load, front / rear	kg	35641	2799	36929	3410	36698	2713	
2-3		Axle loading without load, front / rear	kg	10615	11425	10497	13442	10485	10726	
WHEELS	3-1	Tire type								Pneumatic
	3-2	Tire size, front								12.00 R 20
	3-3	Tire size, rear								12.00 R 20
	3-5	Number of tires, front / rear (X driven)								4x / 2
	3-6	Tread, front	b10	mm						1844
	3-7	Tread, rear	b11	mm						2020
	DIMENSIONS	4-1	Mast tilt, forward / backward	α / β	(°)					
4-2		Height, mast lowered ⁽²⁾	h1	mm						4008
4-3		Freelift	h2	mm						-
4-4		Lift ⁽³⁾	h3	mm						4494
4-5		Height, mast extended	h4	mm						6255
4-7		Height of overhead guard (open cab)	h6	mm						3083
4-7-1		Height of overhead guard (closed cab)	h6	mm						3110
4-7-2		Height of overhead guard (closed cab w/ airco)	h6	mm						3110
4-7-3		Height of overhead guard (closed cab w/ strobe lights)	h6	mm						3205
4-7-4		Height of overhead guard (closed cab w/ work lights)	h6	mm						3259
4-7-5		Height of overhead guard (closed cab w/ airco & strobe lights)	h6	mm						3235
4-8		Seat height to SIP ⁽⁴⁾	h7	mm						1903
4-12		Coupling height	h10	mm						689
4-19		Overall length	l1	mm						7806
4-20		Length to face of forks	l2	mm						5366
4-21		Overall width across drive tires	b2	mm						2541
4-22		Fork dimensions ISO 2331	s/e/l	mm						100 / 200 / 2440
4-23		Carriage type								100mm std pin type
4-24		Carriage width	b3	mm						2540
4-25		Width over forks (min / max)	b5	mm						470 / 2440
4-31		Ground clearance, lowest point	m1	mm						225
4-32		Ground clearance, center of wheelbase	m2	mm						341
4-33-1		Load size	w x l	mm						2400 / 2400
4-34-1-1		Aisle width (a=10%)	Ast	mm	9037		9053		9037	
4-34-1-2		Aisle width (a=0)	Ast	mm	8215		8230		8215	
4-34-1-3		Aisle width (a=200 mm)	Ast	mm	8415		8430		8415	
4-33-2		Load size	w x l	mm						-
4-34-2-1		Aisle width (a=10%)	Ast	mm						-
4-34-2-2		Aisle width (a=0)	Ast	mm						-
4-34-2-3		Aisle width (a=200 mm)	Ast	mm						-
4-35		Outside turning radius	Wa	mm	4874		4889		4874	
4-36		Internal turning radius ⁽⁶⁾	b13	mm						1803
PERFORMANCE	5-1	Travel speed, with / without load**								25
	5-2	Lifting speed, with / without load	m/s			0.39 / 0.46				0.37 / 0.45
	5-2-1	Lifting speed, with 70% load	m/s			0.44				0.43
	5-3	Lowering speed with / without load	m/s							0.54 / 0.45
	5-5	Drawbar pull - 1 mph (1.6 km/h), with / without load	kN							29 / 32
	5-6	Drawbar pull - max, with / without load	kN	62 / 64		61 / 64		61 / 65		
	5-7	Gradeability - 1 mph (1.6 km/h), with / without load ⁽⁵⁾	%	8 / 15		7 / 14		8 / 16		
	5-8	Gradeability - max, with / without load ⁽⁵⁾	%	17 / 31		16 / 28		16 / 33		
10-7	Sound pressure level at the driver's seat									69.6
10-7-1	Sound power level during the working cycle									98.1

(1) Centre of drive axle to front face of forks.

(2) Unladen with new tyres.

(3) Bottom of forks.

(4) Full suspension seat in depressed position.

(5) Gradeability figures are provided for comparison of tractive performance, but are not intended to endorse the operation of vehicle on the stated inclines.

(6) Distance centre truck to centre of internal turning radius.

*Truck models based on 1 pack battery and Standard pin CRG w/o fork positioning.

**Travel speed laden/unladen limited at 25km/h as factory default.

J16XD9 / J16XD12 / J18XD9 SPECIFICATIONS

	Code	Description	HYSTER						
			J16XD9		J16XD12		J18XD9		
GENERAL	1-1	Manufacturer	HYSTER						
	1-2	Model designation	J16XD9		J16XD12		J18XD9		
	1-3	Powertrain / drivetrain	Electric						
	1-4	Operator type	Seated						
	1-5	Load capacity at load center, nominal	16400				18200		
	1-6	Load center	900		1200		900		
	1-8	Load distance ⁽¹⁾	941						
	1-9	Wheelbase	3750						
	WEIGHT	2-1	Service weight*	21307		23066		22616	
2-2		Axle loading with load, front / rear**	kg	35044	2663	36386	3080	37727	3088
2-3		Axle loading without load, front / rear**	kg	10592	10714	10622	12443	10592	12023
WHEELS	3-1	Tire type	Pneumatic						
	3-2	Tire size, front	12.00 R 20						
	3-3	Tire size, rear	12.00 R 20						
	3-5	Number of tires, front / rear (X driven)	4x / 2						
	3-6	Tread, front	b10	mm	1844				
	3-7	Tread, rear	b11	mm	2020				
	DIMENSIONS	4-1	Mast tilt, forward / backward	α / β	(°)	6 / 10			
4-2		Height, mast lowered ⁽²⁾	h1	mm	4008				
4-3		Freelift	h2	mm	-				
4-4		Lift ⁽³⁾	h3	mm	4494				
4-5		Height, mast extended	h4	mm	6255				
4-7		Height of overhead guard (open cab)	h6	mm	3083				
4-7-1		Height of overhead guard (closed cab)	h6	mm	3110				
4-7-2		Height of overhead guard (closed cab w/ airco)	h6	mm	3110				
4-7-3		Height of overhead guard (closed cab w/ strobe lights)	h6	mm	3205				
4-7-4		Height of overhead guard (closed cab w/ work lights)	h6	mm	3259				
4-7-5		Height of overhead guard (closed cab w/ airco & strobe lights)	h6	mm	3235				
4-8		Seat height to SIP ⁽⁴⁾	h7	mm	1903				
4-12		Coupling height	h10	mm	689				
4-19		Overall length	l1	mm	8056				
4-20		Length to face of forks	l2	mm	5616				
4-21		Overall width across drive tires	b2	mm	2541				
4-22		Fork dimensions ISO 2331	s/e/l	mm	100 / 200				
4-23		Carriage type	100mm std pin type						
4-24		Carriage width	b3	mm	2540				
4-25		Width over forks (min / max)	b5	mm	470 / 2440				
4-31		Ground clearance, lowest point	m1	mm	225				
4-32		Ground clearance, center of wheelbase	m2	mm	341				
4-33-1		Load size	w x l	mm	2400 / 2400				
4-34-1-1		Aisle width (a=10%)	Ast	mm	9379				
4-34-1-2		Aisle width (a=0)	Ast	mm	8526				
4-34-1-3		Aisle width (a=200 mm)	Ast	mm	8726				
4-33-2		Load size	w x l	mm	-				
4-34-2-1		Aisle width (a=10%)	Ast	mm	-				
4-34-2-2		Aisle width (a=0)	Ast	mm	-				
4-34-2-3		Aisle width (a=200 mm)	Ast	mm	-				
4-35		Outside turning radius	Wa	mm	5185				
4-36		Internal turning radius ⁽⁶⁾	b13	mm	1803	1996			
PERFORMANCE		5-1	Travel speed, with / without load***	km/h		25			
	5-2	Lifting speed, with / without load	m/s		0.39 / 0.46	0.39 / 0.44		0.37 / 0.45	
	5-2-1	Lifting speed, with 70% load	m/s		0.44		0.43		
	5-3	Lowering speed with / without load	m/s		0.54 / 0.45				
	5-5	Drawbar pull - 1 mph (1.6 km/h), with / without load	kN		30 / 32		29 / 32		
	5-6	Drawbar pull - max, with / without load	kN		62 / 65		61 / 64		
	5-7	Gradeability - 1 mph (1.6 km/h), with / without load ⁽⁵⁾	%		8 / 16		8 / 14		
	5-8	Gradeability - max, with / without load ⁽⁵⁾	%		17 / 32		16 / 30		15 / 30
10-7	Sound pressure level at the driver's seat	dB (A)		69.6					
10-7-1	Sound power level during the working cycle	dB (A)		98.1					

(1) Centre of drive axle to front face of forks.

(2) Unladen with new tyres.

(3) Bottom of forks.

(4) Full suspension seat in depressed position.

(5) Gradeability figures are provided for comparison of tractive performance, but are not intended to endorse the operation of vehicle on the stated inclines.

(6) Distance centre truck to centre of internal turning radius.

*Truck models based on 1 pack battery and Standard pin CRG w/o fork positioning.

**For J16XD12 with 4 battery packs, add 200kg on front and 170kg on rear.

***For J16XD12 with 4 battery packs, add 370kg on service weight.

***Travel speed laden/unladen limited at 25km/h as factory default.

GENERAL	1-1	Manufacturer	Hyster						
	1-2	Model designation	J10XD6, J12XD6	J14XDS6	J13XDS6	J14XD12, J16XDS9, J16XDS12, J16XD6	J12XD12, J18XD6, J16XD9	J13XD6	J14XD6, J10XD12, J16XD12, J18XD9
ELECTRIC MOTOR	1-3	Powertrain / drivetrain	Electric						
	6-1	Drive motor rating S2 60 min	kW		46				
	6-2	Lift motor rating at S3 15%	kW		165				
	6-3	Battery according to DIN 43531/35/36 A, B, C	No						
	6-4	Battery voltage/nominal capacity 1 Pack*	V / Ah		363 / 192				
	6-4-1	Battery voltage/nominal capacity 2 Pack*	V / Ah		363 / 384				
	6-4-2	Battery voltage/nominal capacity 3 Pack	V / Ah		N/A		363 / 576		
	6-4-3	Battery voltage/nominal capacity 4 Pack**	V / Ah		N/A		363 / 768		
	6-5	Battery weight 1 Pack*	kg	1200	729	1679	850	1459	
	6-5-1	Battery weight 2 Pack*	kg	1237		1712	1332	1492	
	6-5-2	Battery weight 3 Pack	kg	N/A		1754			
	6-5-3	Battery weight 4 Pack**	kg			N/A		2296	
6-6	Energy consumption according to VDI cycle	kWh						-	

GENERAL	1.1	Manufacturer	Hyster						
	1.2	Model designation	J10XD6, J12XD6			J13-18XD6, J13-16XD(S)6, J16-18XD9, J16XDS9, J10-16XD12, J16XDS12			
DRIVETRAIN	1-3	Powertrain / drivetrain	Electric						
	8-0	Drive control / transmission	Type						-
	8-1	Type of drive unit	Type						AC Electric
	8-2	Transmission manufacturer / type	Type						-
	8-2-1	Transmission speeds forward / backward	#						-
	8-4	Wheel drive / drive axle manufacturer / type	Type	Kessler / D61			Kessler / D81		
	8-11	Service brake	Type						Oil-immersed / wet disc
	8-12	Parking brake	Type						Dry disc on drive axle
OTHER	10-1	Operating pressure for attachments	MPa						19.5
	10-2	Oil volume for attachments	l/m						100
	10-3	Hydraulic tank capacity	l						109
	10-5	Steering design	Type						Hydraulic power steering
	10-6	Number of steering rotations	#						5

*Battery slabs included if necessary.

**Only available on J16XD12.

NOTES:

Specifications are affected by the condition of the vehicle and how it is equipped, as well as the nature and condition of the operating area. Inform your dealer of the nature and condition of the intended operating area when purchasing your Hyster® truck.

All capacities are according to EN1459.

All specifications and capacities are valid for trucks equipped with standard forks.

NOTICE:

Care must be exercised when handling elevated loads. Operators must be trained and must read, understand and follow the instructions contained in the Operating Manual.

All values are nominal values and they are subject to tolerances.

For further information, please contact the manufacturer.

Hyster products are subject to change without notice.

Lift trucks illustrated may feature optional equipment.


Values may vary with alternative configurations.

CERTIFICATION: Hyster lift trucks meet the design and construction requirements of B56.1-1969, per OSHA Section 1910.178(a)(2), and also comply with the B56.1 revision in effect at time of manufacture. Certification of compliance with the applicable ANSI standards appears on the lift truck. Performance specifications are for a truck equipped as described under Standard

Equipment on this Technical Guide. Performance specifications are affected by the condition of the vehicle and how it is equipped, as well as by the nature, condition of the operating area, proper service and maintenance of the vehicle. If these specifications are critical, the proposed application should be discussed with your dealer.

NOTE: Specifications, unless otherwise listed, are for a standard truck without optional equipment.

Specification data is based on VDI 2198.

 Safety: This truck conforms to the current EU requirements.

MAST AND CAPACITY INFORMATION

10-12T NOMINAL CAPACITY KG @ 600MM LOAD CENTRE

	Lift height TOF h _{3+s} (mm)	Lowered Height h ₁ (mm)	Extended Height h ₄ (mm)	Standard pin type carriage (kg)		Sideshift pin type carriage (kg)		QD DFSSFP carriage (kg)*	
				J10XD6	J12XD6	J10XD6	J12XD6	J10XD6	J12XD6
2 STAGE NFL	2750	3010	4347	10,500	12,500	10,400	12,400	10,200	12,200
	3000	3135	4597	10,500	12,500	10,400	12,400	10,200	12,200
	3250	3260	4847	10,500	12,500	10,400	12,400	10,200	12,200
	3500	3385	5097	10,500	12,500	10,400	12,400	10,200	12,200
	3750	3510	5347	10,500	12,500	10,400	12,400	10,200	12,200
	4000	3635	5597	10,500	12,500	10,400	12,400	10,200	12,200
	4500	3885	6097	10,500	12,500	10,400	12,400	10,200	12,200
	4750	4010	6347	10,500	12,500	10,400	12,400	10,200	12,200
	5000	4135	6597	10,500	12,500	10,400	12,400	10,200	12,200
	5500	4385	7097	10,340	12,330	10,230	12,240	10,040	12,010
	6000	4635	7597	10,150	12,150	10,030	12,040	Capacity will vary based on side shift and tilt	
	6250	4760	7847	10,040	12,040	9930	11,930		
	6500	4885	8097	9940	11,930	9820	11,820		
7000	5135	8597	9710	11,690	9600	11,580			

Capacity calculated with 1220mm forks.

*DFSSFP QD carriage has 455mm sideshift. Smaller derate applicable with less backtilt.

Note: addition of header hoses will add 16.5mm to OLH (h₁) and OEH (h₄).

10-12T NOMINAL CAPACITY KG @ 600MM LOAD CENTRE WITH PIN TYPE CARRIAGE WITH SIDESHIFT

	Lift height TOF h _{3+s} (mm)	Lowered Height h ₁ (mm)	Extended Height h ₄ (mm)	Standard pin type carriage (kg)	
				J10XD6	J12XD6
3 STAGE NFL	5500	3012	6880	9,410	11,300
	6000	3178	7380	9,250	11,130
	6500	3345	7880	9,050	10,920
	7000	3511	8380	8,810	10,670

Capacity calculated with 1220mm forks.

13-16T NOMINAL CAPACITY IN KG @ 600MM LOAD CENTRE / 10-12T NOMINAL CAPACITY IN KG @ 1200MM LOAD CENTRE WITH STANDARD PIN TYPE CARRIAGE

	Lift height TOF h _{3+s} (mm)	Lowered Height h ₁ (mm)	Overall Extended Height h ₄ (mm)	Standard pin type carriage (kg)						
				J13XDS6	J14XDS6	J13XD6	J14XD6	J16XD6	J10XD12	J12XD12
2 STAGE NFL	2750	3068	4398	13,500	14,500	13,500	14,500	16,500	10,500	12,500
	3000	3193	4648	13,500	14,500	13,500	14,500	16,500	10,500	12,500
	3250	3318	4898	13,500	14,500	13,500	14,500	16,500	10,500	12,500
	3500	3443	5148	13,500	14,500	13,500	14,500	16,500	10,500	12,500
	3750	3568	5398	13,500	14,500	13,500	14,500	16,500	10,500	12,500
	4000	3693	5648	13,500	14,500	13,500	14,500	16,500	10,500	12,500
	4500	3943	6148	13,500	14,500	13,500	14,500	16,500	10,500	12,500
	4750	4068	6398	13,500	14,500	13,500	14,500	16,500	10,500	12,500
	5000	4193	6648	13,500	14,500	13,500	14,500	16,500	10,500	12,500
	5500	4443	7148	13,340	14,340	13,340	14,330	16,320	10,350	12,360
	6000	4693	7648	13,140	14,170	13,120	14,150	16,130	10,190	12,220
	6250	4818	7898	13,030	14,070	13,010	14,060	16,020	10,110	12,150
	6500	4943	8148	12,920	13,980	12,890	13,960	15,900	10,020	12,070
	7000	5193	8648	12,670	13,780	12,640	13,750	15,620	9,830	11,900

Capacity calculated with 1830mm forks for 600mm LC models and 2440 mm forks for 1200mm LC models.

Capacity calculated with bias tyres, radial tyres will give a higher derate for DFSSFP carriage above 5000mm LH.

Note: addition of header hoses will add 16.5mm to OLH (h₁) and OEH (h₄).

MAST AND CAPACITY INFORMATION

13-16T NOMINAL CAPACITY IN KG @ 600MM LOAD CENTRE / 10-12T NOMINAL CAPACITY IN KG @ 1200MM LOAD CENTRE WITH PIN TYPE CARRIAGE WITH SIDESHIFT

	Lift height TOF h _{3+s} (mm)	Lowered Height h ₁ (mm)	Extended Height h ₄ (mm)	Standard pin type carriage (kg)						
				J13XDS6	J14XDS6	J13XD6	J14XD6	J16XD6	J10XD12	J12XD12
2 STAGE NFL	2750	3068	4398	13,400	14,500	13,400	14,500	16,400	10,400	12,400
	3000	3193	4648	13,400	14,500	13,400	14,500	16,400	10,400	12,400
	3250	3318	4898	13,400	14,500	13,400	14,500	16,400	10,400	12,400
	3500	3443	5148	13,400	14,500	13,400	14,500	16,400	10,400	12,400
	3750	3568	5398	13,400	14,500	13,400	14,500	16,400	10,400	12,400
	4000	3693	5648	13,400	14,500	13,400	14,500	16,400	10,400	12,400
	4500	3943	6148	13,400	14,500	13,400	14,500	16,400	10,400	12,400
	4750	4068	6398	13,400	14,500	13,400	14,500	16,400	10,400	12,400
	5000	4193	6648	13,400	14,500	13,400	14,500	16,400	10,400	12,400
	5500	4443	7148	13,180	14,340	13,180	14,330	16,220	10,230	12,360
	6000	4693	7648	12,980	14,170	12,960	14,150	15,990	10,080	12,220
	6250	4818	7898	12,870	14,070	12,850	14,060	15,860	9,990	12,150
6500	4943	8148	12,760	13,980	12,740	13,960	15,740	9,910	12,050	
7000	5193	8648	12,520	13,780	12,480	13,750	15,470	9,720	11,850	

Capacity calculated with 1830mm forks for 600 mm LC models and 2440mm forks for 1200mm LC models.

Capacity calculated with bias tyres, radial tyres will give a higher derate for DFSSFP carriage above 5000mm LH.

Note: addition of header hoses will add 16.5mm to OLH (h₁) and OEH (h₄).

13-16T NOMINAL CAPACITY IN KG @ 600MM LOAD CENTRE/ 10-12T NOMINAL CAPACITY IN KG @ 1200MM LOAD CENTRE WITH QUICK DISCONNECT CARRIAGE

	Lift height TOF h _{3+s} (mm)	Lowered Height h ₁ (mm)	Extended Height h ₄ (mm)	Standard pin type carriage (kg)						
				J13XDS6	J14XDS6	J13XD6	J14XD6	J16XD6	J10XD12	J12XD12
2 STAGE NFL	2750	3068	4398	13,100	14,400	13,100	14,400	16,100	10,200	12,000
	3000	3193	4648	13,100	14,400	13,100	14,400	16,100	10,200	12,000
	3250	3318	4898	13,100	14,400	13,100	14,400	16,100	10,200	12,000
	3500	3443	5148	13,100	14,400	13,100	14,400	16,100	10,200	12,000
	3750	3568	5398	13,100	14,400	13,100	14,400	16,100	10,200	12,000
	4000	3693	5648	13,100	14,400	13,100	14,400	16,100	10,200	12,000
	4500	3943	6148	13,100	14,400	13,100	14,400	16,100	10,200	12,000
	4750	4068	6398	13,100	14,400	13,100	14,400	16,100	10,200	12,000
	5000	4193	6648	13,100	14,400	13,100	14,400	16,100	10,200	12,000
	5500	4443	7148	12,860	13,100	12,890	14,050	14,520	10,080	12,000
	6000	4693	7648							
	6250	4818	7898							
6500	4943	8148								
7000	5193	8648								

Capacity calculated with 1830mm forks for 600 mm LC models and 2440mm forks for 1200mm LC models.

*DFSSFP QD carriage has 480mm sideshift. Smaller derate applicable with less backtilt.

Capacity calculated with bias tyres, radial tyres will give a higher derate for DFSSFP carriage above 5000mm LH.

Note: addition of header hoses will add 16.5mm to OLH (h₁) and OEH (h₄).

13-16T NOMINAL CAPACITY IN KG @ 600MM LOAD CENTRE / 10-12T NOMINAL CAPACITY IN KG @ 1200MM LOAD CENTRE WITH PIN TYPE CARRIAGE WITH SIDESHIFT

	Lift height TOF h _{3+s} (mm)	Lowered Height h ₁ (mm)	Extended Height h ₄ (mm)	Standard pin type carriage (kg)						
				J13XDS6	J14XDS6	J13XD6	J14XD6	J16XD6	J10XD12	J12XD12
2 STAGE NFL	4500	3103	6180	12,010	12,900	12,010	12,900	14,720	9,410	11,440
	5000	3269	6680	11,960	12,840	11,960	12,840	14,670	9,370	11,400
	6000	3602	7680	11,590	12,470	11,580	12,460	14,260	9,090	11,090
	7000	3935	8680	11,130	11,990	11,000	11,970	13,750	8,730	10,700

Capacity calculated with 1830mm forks.

MAST AND CAPACITY INFORMATION

16-18T NOMINAL CAPACITY IN KG @ 600MM / @ 900MM / @ 1200MM LOAD CENTRE WITH STANDARD PIN TYPE CARRIAGE

	Lift height TOF h _{3+s} (mm)	Lowered Height h ₁ (mm)	Extended Height h ₄ (mm)	Standard pin type carriage (kg)						
				J14XD12	J16XDS9	J16XDS12	J18XD6	J16XD9	J16XD12	J18XD9
2 STAGE NFL	3984	3703	5645	14,500	16,400	16,000	18,200	16,400	16,000	18,200
	4594	4008	6255	14,500	16,400	16,000	18,200	16,400	16,000	18,200
	5406	4414	7067	14,500	16,400	16,000	18,200	16,400	16,000	18,200
	6219	4821	7880	14,260	16,120	16,000	17,870	16,100	16,000	17,820

Capacity calculated with 2440mm forks.

Capacity calculated with bias tyres, radial tyres will give a higher derate for DFSSFP carriage above 5000mm LH.

Note: addition of header hoses will add 16.5mm to OLH (h₁) and OEH (h₄).

Load limited to 16T@1200 due to fork moment limit.

16-18T NOMINAL CAPACITY IN KG @ 600MM / @ 900MM / @ 1200MM LOAD CENTRE WITH PIN TYPE CARRIAGE WITH SIDESHIFT

	Lift height TOF h _{3+s} (mm)	Lowered Height h ₁ (mm)	Extended Height h ₄ (mm)	Standard pin type carriage (kg)						
				J14XD12	J16XDS9	J16XDS12	J18XD6	J16XD9	J16XD12	J18XD9
2 STAGE NFL	3984	3703	5645	14,500	16,000	16,000	18,000	16,000	16,000	17,450
	4594	4008	6255	14,500	16,000	16,000	18,000	16,000	16,000	17,450
	5406	4414	7067	14,500	16,000	16,000	18,000	16,000	16,000	17,450
	6219	4821	7880	14,200	15,900	15,940	17,870	15,890	15,890	17,120

Capacity calculated with 2440mm forks.

Capacity calculated with bias tyres, radial tyres will give a higher derate for DFSSFP carriage above 5000mm LH.

Note: addition of header hoses will add 16.5mm to OLH (h₁) and OEH (h₄).

Load limited to 16T@1200 due to fork moment limit.

16-18T NOMINAL CAPACITY IN KG @ 900MM LOAD CENTRE / @ 1200MM LOAD CENTRE WITH QUICK DISCONNECT CARRIAGE

	Lift height TOF h _{3+s} (mm)	Lowered Height h ₁ (mm)	Extended Height h ₄ (mm)	QD DFSSFP carriage (kg)*						
				J14XD12	J16XDS9	J16XDS12	J18XD6	J16XD9	J16XD12	J18XD9
2 STAGE NFL	3984	3703	5645	14,000	16,000	16,000	18,000	16,000	16,000	17,200
	4594	4008	6255	14,000	16,000	16,000	18,000	16,000	16,000	17,200
	5406	4414	7067	14,000	15,690	15,150	16,190	15,780	15,340	16,020
	6219	4821	7880	Capacity will vary based on side shift and tilt						

Capacity calculated with 2440mm forks.

*DFSSFP QD carriage has 468 mm sideshift. Smaller derate applicable with less backtilt.

Capacity calculated with bias tyres, radial tyres will give a higher derate for DFSSFP carriage above 5000mm LH.

Note: addition of header hoses will add 16.5mm to OLH (h₁) and OEH (h₄).

Load limited to 16T@1200 due to fork moment limit.

16-18T NOMINAL CAPACITY IN KG @ 900MM LOAD CENTRE / @ 1200MM LOAD CENTRE WITH QUICK DISCONNECT CARRIAGE

	Lift height TOF h _{3+s} (mm)	Lowered Height h ₁ (mm)	Extended Height h ₄ (mm)	QD DFSSFP carriage (kg)*						
				J14XD12	J16XDS9	J16XDS12	J18XD6	J16XD9	J16XD12	J18XD9
2 STAGE NFL	3984	3703	5645	14,500	16,000	16,000	18,000	16,000	16,000	18,000
	4594	4008	6255	14,500	16,000	16,000	18,000	16,000	16,000	18,000
	5406	4414	7067	14,500	15,820	15,300	16,300	15,940	15,510	16,170
	6219	4821	7880	Capacity will vary based on side shift and tilt						

Capacity calculated with 2440mm forks.

*DFSSFP QD carriage has 468mm sideshift. Smaller derate applicable with less backtilt.

Capacity calculated with bias tyres, radial tyres will give a higher derate for DFSSFP carriage above 5000mm LH.

Note: addition of header hoses will add 16.5mm to OLH (h₁) and OEH (h₄).

Load limited to 16T@1200 due to fork moment limit.

STANDARD EQUIPMENT AND OPTIONS

PERFORMANCE	STD	OPT
Integrated high voltage (350V) Li-Ion battery	x	
Drive Motor 108kW Peak	x	
Lift Motor 166kW Peak	x	
111cc Dual pump hydraulic system	x	
1 battery pack		x
2 battery packs	x	
3 battery packs		x
4 battery packs*		x
Combined Charging System 1 (CCS1)		x
Combined Charging System 2 (CCS2)	x	
Performance levels	x	
Kessler drive axle with wet brakes	x	
DRIVE	STD	OPT
Travel Speed Limiter - unconditional and customer adjustable		x
Travel Speed Limiter - based on load weight (adjustable)		
10.00 - 20 20PR Trelleborg Pneumatic Bias Ply drive and steer tyres	x	
10.00 - R20 Michelin XZM Radial drive and steer tyres		x
10.00 - R20 Trelleborg Radial drive and steer tyres		x
10.00 - 20 Pneumatic Shaped Solid drive and steer tyres		x
Spare wheels and tyres		x
LIFT	STD	OPT
On-Demand Load Sensing Hydraulic System	x	
2 Stage Non Free Lift mast	x	
Mast tilt - 5° forward / 6° back	x	
Mast tilt indicator - mechanical		x
Hydraulic Accumulator		x
Pressure compensated lowering	x	
Hydraulic System Temperature Protection		x
HANDLING	STD	OPT
Hyster 586TB single spreader, with removable blocks for ISO or wide containers		x
Hyster Model 588TB single spreader	x	
CANBus spreader controls	x	
Mechanical Pile Slope	x	
+/- 15/7" (400mm) sideshift	x	
ERGONOMICS	STD	OPT
Enclosed operator cabin	x	
Manual tilt operator compartment for service	x	
Powered tilt operator compartment for service		x
Isolated cabin mounting for low noise and vibration	x	
Operator presence system	x	
Mechanical suspension seat	x	
Air suspension seat		x
Deluxe air suspension seat		x
Low backrest seat	x	
High backrest seat		x
Additional armrest on left side	x	
Cloth seat cover	x	
Vinyl seat cover		x
Seat heating		x
Seat ventilation		x
2-point high visibility seatbelt	x	
3-point high visibility seatbelt		x
Lateral seat sliding mechanism		x
Floor mat	x	
Coat hook	x	
Front, top and rear wipers with individual controlled washers	x	
"H"-pattern front wiper (Enclosed operator cabin)		x
"I"-pattern front wiper (Enclosed operator cabin)	x	
Intermittent wipers	x	
Top window with armoured glass (Enclosed operator cabin)	x	
Steel bars under armoured glass top window (enclosed operator cabin)		x
Tinted operator compartment windows (all)		x
Tinted operator compartment top window		x
Right side door	x	
Wire mesh installed on top of operator compartment		x
7" Integrated performance display	x	
Joystick hydraulic control integrated in control arm	x	
Steering wheel with spinner knob	x	
Directional control lever on steering column		x
Directional control on joystick	x	
Park brake - automatically applied	x	

ERGONOMICS (CONTINUED)	STD	OPT
Heater with adjustable speed fan (enclosed operator cabin)	x	
Telescoping and tilting steering column	x	
USB outlet inside armrest	x	
24-12 DC converter with 1 sockets and 2 USB outlets		x
24-12 DC converter with 2 sockets and 2 USB outlets		x
DC/DC converter 24 volt/12 volt 2nd 12 volt socket		x
Automatic climate control		x
Reading light		x
Sun shades on top and rear		x
Sun visors front window		x
Trainer seat		x
Recirculation fan		x
Accessory mounting bracket on cab front right pillar		x
Heated top- and/or rear window		x
Radio preparation set-up (wiring, two speakers and antenna)		x
Bluetooth radio with 2 speakers and antenna		x
VISIBILITY	STD	OPT
Interior wide angle mirrors	x	
Exterior mirrors mounted to cab		x
Rear view camera system		x
Radar object detection system		x
LED work lights	x	
High Performance LED work lights		x
Two head lights mounted on front fenders	x	
Four forward work lights mounted on the cabin	x	
Two rearward work lights mounted on the cabin	x	
LED twistlock indicator lights	x	
LED stop/tail/brake lights	x	
Turn signals, hazard and marker lights (LED)	x	
OPERATION	STD	OPT
Air horn 112 dBA		x
Electric horn 105 dBA	x	
Visible alarm - Amber strobe light, ignition activated	x	
Audible alarm – reverse direction activated 82–102 dB(A), self-adjusting		x
Audible alarm – reverse direction white noise		x
Blue LED spotlight – rear / front and rear		x
Hydraulic load weighing system		x
Tire pressure monitoring system		x
Air-conditioning or automatic climate control off with open door		x
Lockable battery disconnect switch		x
Battery jump start connector (NATO plug)		x
Truck Start with key switch and start button	x	
Operator password (display) for truck start		x
Seatbelt interlock for truck start		x
Seatbelt interlock on sequence for truck start		x
Fuses Below 30 amps Replaced by Electric Circuit Breakers		x
Hyster Tracker Wireless Monitoring (Level 1)	x	
Hyster Tracker Wireless Access (Level 2)		x
Hyster Tracker Wireless Verification (Level 3)		x
Auto greasing system for basic truck and outer mast		x
24 volt electrical system	x	
Steer wheel lug nut protection		x
Front mud flaps		x
Rear mud flaps		x
Lifting eyes - 2 front and 2 rear		x
APPEARANCE	STD	OPT
Hyster yellow paint base truck	x	
Special paint base truck		x
Operator compartment special paint		x
Hazard warning striping on counterweight		x
SUPPLEMENTAL	STD	OPT
Literature package	x	
Operator's manual	x	
CE certification	x	
Warranty: 24 Months / 4,000 Hours Parts manufacturer's warranty, 60 Months / 10,000hrs Factory Installed Integrated Li-Ion Battery Warranty**	x	

*Only available on J16XD12.

**Please see full Warranty Statement for additional details.

STANDARD EQUIPMENT AND OPTIONS

J10XD6 / J12XD6		
PERFORMANCE	STD	OPT
10.00 - 20 16PR Pneumatic Bias Ply drive and steer tyres	x	
10.00 - R20 Radial Michelin XZM drive and steer tyres		x
10.00 - R20 Radial Trelleborg drive and steer tyres		x
10.00 - 20 Pneumatic Shaped Solid drive and steer tyres		x
Spare wheels and tyres		x
LIFT	STD	OPT
Four mast mounted work lights		x
2 stage Non Free Lift 9t and 12t mast	x	
2 Stage Full Free Lift 12t mast (can be used on lower capacity models)		x
3 Stage Full Free Lift 12t mast (can be used on lower capacity models)		x
Mast tilt - 5° forward / 6° back		x
Mast tilt - 5° forward / 12° back		x
Mast tilt - 15° forward / 10° back		x
Mast tilt - 15° forward / 12° back	x	
Mast tilt - 20.5° forward / 7° back		x
HANDLING	STD	OPT
2400mm (94.3") Pin type standard carriage	x	
2400mm (94.3") Pin type carriage with simultaneous and independent fork positioner		x
2400mm (94.3") Pin type integral sideshift carriage		x
2400mm (94.3") Pin type integral sideshift carriage with simultaneous fork positioner		x
2400mm (94.3") Pin type integral sideshift carriage with simultaneous and independent fork positioner		x
2400mm (94.5") QD Hook type dual function sideshift carriage with simultaneous and independent fork positioner		x
2400mm (94.4") QD Hook type dual function sideshift carriage with simultaneous fork positioner and 2 auxiliary functions		x
2500mm (98") High load backrest (for lumber applications)		x
1760mm (69") High load backrest		x
2010mm (79") High load backrest		x
Pin type forks (various sizes)		x
Pin type forks for lumber applications		x
Hook type quick disconnect DFSSFP forks (various sizes)		x
Hook type quick disconnect DFSSFP forks (various sizes)		x
J13XDS6 / J13XD6 / J14XDS6 / J14XD6 / J16XD6 / J10XD12 / J12XD12		
DRIVE	STD	OPT
10.00 - 20 20PR Trelleborg Pneumatic Bias Ply drive and steer tyres	x	
10.00 - R20 Michelin XZM Radial drive and steer tyres		x
10.00 - R20 Trelleborg Radial drive and steer tyres		x
10.00 - 20 Pneumatic Shaped Solid drive and steer tyres		x
Spare wheels and tyres		x
LIFT	STD	OPT
Four mast mounted work lights		x
2 stage Non Free Lift 16T mast	x	
2 Stage Full Free Lift 16T mast		x
3 Stage Full Free Lift 16T mast		x
Mast tilt - 5° forward / 6° back		x
Mast tilt - 5° forward / 12° back		x
Mast tilt - 15° forward / 10° back		x
Mast tilt - 15° forward / 12° back	x	
Mast tilt - 20.5° forward / 7° back		x

PERFORMANCE	STD	OPT
2400mm (94.3") Pin type standard carriage	x	
2400mm (94.3") Pin type carriage with simultaneous and independent fork positioner		x
2400mm (94.3") Pin type integral sideshift carriage		x
2400mm (94.3") Pin type integral sideshift carriage with simultaneous fork positioner		x
2400mm (94.3") Pin type integral sideshift carriage with simultaneous and independent fork positioner		x
2400mm (94.5") QD Hook type dual function sideshift carriage with simultaneous and independent fork positioner		x
2400mm (94.4") QD Hook type dual function sideshift carriage with simultaneous fork positioner and 2 auxiliary functions		x
2500mm (98") High load backrest (for lumber applications)		x
1760mm (69") High load backrest		x
2010mm (79") High load backrest		x
Pin type forks (various sizes)		x
Pin type forks for lumber applications		x
Hook type quick disconnect DFSSFP forks (various sizes)		x
J14XD12 / J16XDS9 / J16XD9 / J16XDS12 / J16XD12 / J18XD6 / J18XD9		
DRIVE	STD	OPT
10.00 - 20 20 Pneumatic Bias Drive tyres	x	
10.00 - R20 Michelin XZM Radial drive and steer tyres		x
LIFT	STD	OPT
Two mast mounted work lights		x
2 stage Non Free Lift 18T mast	x	
2 Stage Full Free Lift 18T mast		x
3 Stage Full Free Lift 18T mast		x
Mast tilt - 6° forward / 10° back	x	
Mast tilt - 10.5° forward / 12° back		x
Mast tilt - 15° forward / 10° back		x
HANDLING	STD	OPT
2540mm (100") Pin type carriage with mechanical fork locks		x
2540mm (100") Pin type carriage with individual fork positioner		x
2540mm (100") Pin type apron-style sideshift carriage		x
2540mm (100") Pin type apron-style sideshift carriage with individual fork positioner		x
2540mm (100") Dual function sideshift carriage with individual fork positioner with integral forks	x	
2540mm (100") Hook type dual function sideshift carriage with individual fork positioner with Quick Disconnect forks		x
Simultaneous fork positioning		x
2440mm (96") length pin type forks		x
2440mm (96") length hook type forks		x
2440mm (96") length integral forks	x	

ELECTRIC BIG FORKLIFT TRUCK WITH ICE LIKE PERFORMANCE FOR HEAVY-DUTY APPLICATIONS





HYSTER EUROPE
Centennial House, Building 4.5, Frimley Business Park,
Frimley, Surrey, GU16 7SG, United Kingdom

Visit us online at www.hyster.com or call us at **+44 (0) 1276 538500**.

Hyster-Yale Materials Handling, Inc. trading as HYSTER EUROPE.
Registered Address: Centennial House, Building 4.5, Frimley Business Park, Frimley, Surrey GU16 7SG, United Kingdom.
Registered in England and Wales. Company Registration Number: 02636775.
©2024 Hyster-Yale Materials Handling, Inc. all rights reserved. Hyster and  are trademarks of Hyster-Yale Materials Handling, Inc.
Hyster products are subject to change without notice. Trucks may be shown with optional equipment.



Safety: This truck conforms to the current EU requirements