



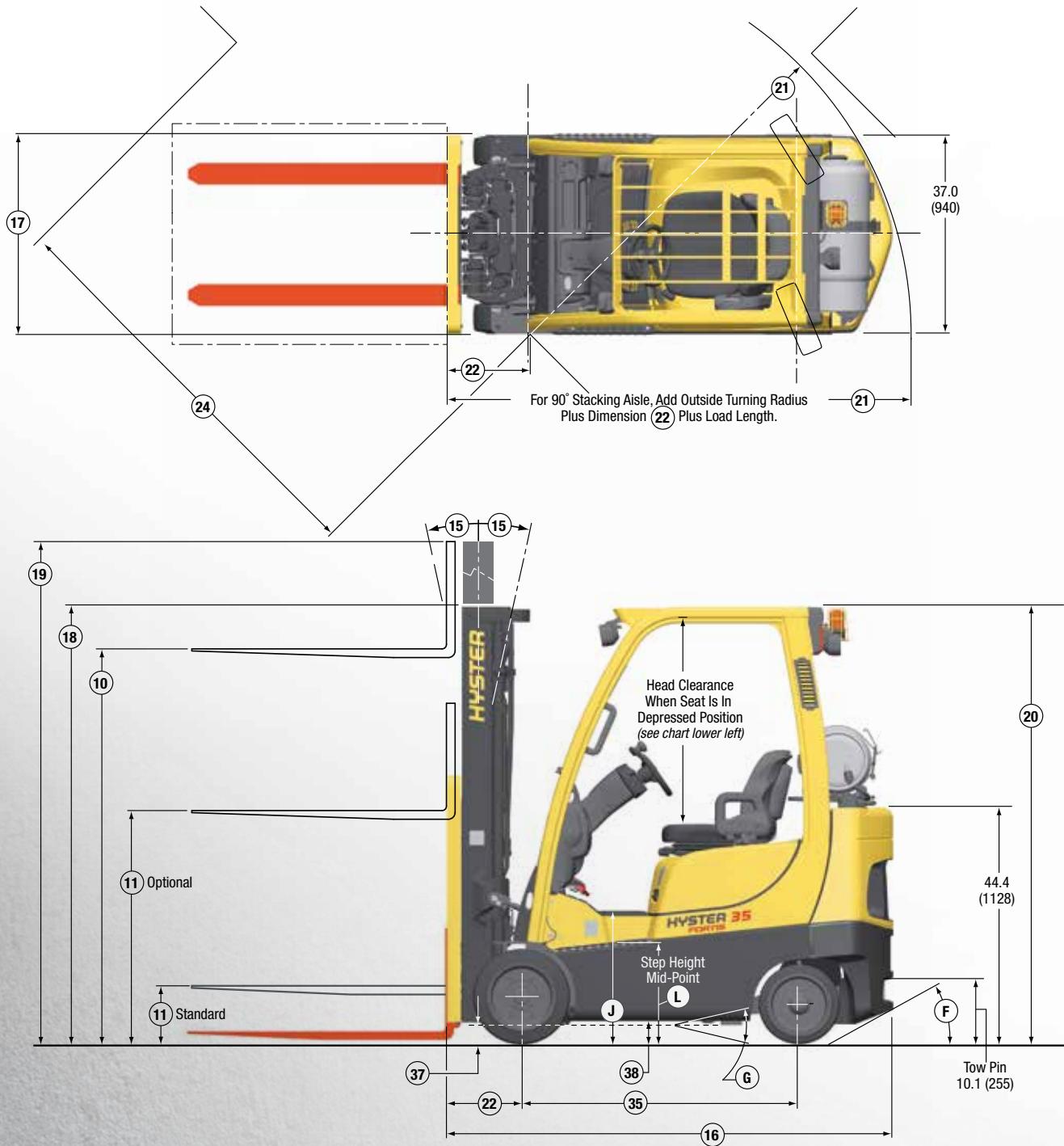
**STRONG PARTNERS.
TOUGH TRUCKS.™**



S30-40FT SERIES TECHNICAL GUIDE

WWW.HYSTER.COM

> DIMENSIONS



Seat Type	Standard Tall OHG	Optional Short OHG
	in (mm)	in (mm)
Non-Suspension	42.0 (1067)	39.4 (1001)
Semi-Suspension	42.5 (1079)	39.9 (1013)
Full-Suspension	41.8 (1061)	N/A
Swivel Full-Suspension	42.0 (1067)	N/A

MODEL	LIFT CAPACITY	LOAD CENTER	F	G	J	L
	lb (kg)	in (mm)	percent	percent	in (mm)	in (mm)
S30FT	3000 (1360)	24 (610)	41%	21%	25.0 (634)	19.7 (500)
S35FT	3500 (1587)	24 (610)	39%	21%	25.0 (634)	19.7 (500)
S40FTS	4000 (1814)	24 (610)	37%	21%	25.0 (634)	19.7 (500)

Circled dimensions correspond to the line numbers on the tabulated chart inside the Technical Guide. Dimensions are in inches (mm).

> SPECIFICATIONS

		GENERAL			
1	Manufacturer Name		Hyster		
2	Model		S30FT	S35FT S40FTS	
	Engine		PSI 2.0L		
3	Rated Capacity	lb (kg)	3000 (1360)	3500 (1587) 4000 (1814)	
4	Load Center, Distance	in (mm)	24.0 (610)		
5	Power Type		LPG		
6	Operator Type		Sit-Down Rider		
7	Step Height	in (mm)	19.1 (485)		
8	Tire Type - Cushion, Solid, Pneumatic		Cushion		
9	Wheels, Number - Front/Rear		2x/2		
DIMENSIONS	10	Lift Height, Top of Fork (TOF)	in (mm)	127 (3232)	
	11	Lift Heights, Standard Limited Free Lift (LFL) w/o LBR (TOF)	in (mm)	5 (140)	
		Lift Heights, Optional Full Free Lift (FFL) w/o LBR (TOF)	in (mm)	35 (902)	
	12	Standard Carriage Width	in (mm)	35.7 (907)	
	13	Forks, Thickness x Width x Length	in (mm)	1.6 X 3.9 X 42.0	
		Forks, Thickness x Width x Length	(mm)	(40 X 100 X 1067)	
	14	Fork Spread, Outside Dimensions	in (mm)	33.5 (850)	
	15	Mast Tilt Angles, Forward/Backward	degrees	5F/5B	
	16	Length To Face of Forks	in (mm)	81.6 (2074)	83.1 (2112) 84.4 (2143)
	17	Overall Width, Standard Tread	in (mm)	37.0 (940)	38.8 (986)
		Overall Width, Wide Tread	in (mm)	42.7 (1084)	
	18	Height, Standard Mast - Lowered	in (mm)	82 (2080)	
	19	Height, Standard Mast - Extended with LBR	in (mm)	176 (4455)	
		Height, Standard Mast - Extended without LBR	in (mm)	150 (3806)	
	20	Height, Standard Overhead Guard	in (mm)	83 (2088)	
		Height, Optional Overhead Guard	in (mm)	80 (2021)	
	21	Turning Radius, Minimum Outside (OTR)	in (mm)	77.0 (1955)	78.1 (1985)
	22	Length, Center of Wheel to Face of Forks	in (mm)	14.1 (358)	
	23	Aisle Width, Right Angle Stack (Add Length of Load)	in (mm)	84 (2133)	85.4 (2168) 86.6 (2199)
	24	Equal Aisle, 90-Degree Intersecting Aisle	in (mm)	69.8 (1773)	70.4 (1788) 70.9 (1800)
PERFORMANCE	25	Travel Speed RL/NL	mph (km/h)	10.6/10.7 (17.1/17.3)	
	26	Lift Speed, Standard 2-Stage LFL RL/NL	ft/min (m/s)	114/118 (.58/.60)	
		Lift Speed, Optional 2-Stage FFL RL/NL	ft/min (m/s)	102/106 (.52/.54)	
		Lift Speed, Optional 3-Stage FFL RL/NL	ft/min (m/s)	106/110 (.54/.56)	
	27	Lowering Speed, Standard 2-Stage LFL RL/NL	ft/min (m/s)	100/92 (.51/.47)	
		Lowering Speed, Optional 2-Stage FFL RL/NL	ft/min (m/s)	91/73 (.46/.37)	
		Lowering Speed, Optional 3-Stage FFL RL/NL	ft/min (m/s)	94/81 (.48/.41)	
	28	Drawbar Pull @ 1 mph RL/NL	lb (kg)	3152/1690 (1430/767)	3095/1579 (1404/716) 3078/1579 (1396/716)
29	Gradeability @ 1 mph RL/NL ††	%	35/27	31/24 29/22	
WT.	31	Weight, Standard Truck (2-Stg. LFL) NL	lb (kg)	6159 (2794) 6591 (2990) 6971 (3162)	
		Weight, Standard Truck (2-Stg. LFL) RL	lb (kg)	9159 (4155) 10091 (4577) 10971 (4976)	
	32	Axle Loading, Static Front/Rear NL	lb (kg)	2821/3338 (1280/1514) 2731/3859 (1239/1750) 2624/4347 (1190/1972)	
		Axle Loading, Static Front/Rear RL	lb (kg)	8039/1120 (3647/508) 8820/1271 (4001/577) 9582/1389 (4346/630)	
TIRES & WHEELS	33	Tire Size, Front		18 X 6 X 12.125 18 X 7 X 12.125	
	34	Tire Size, Rear		15 X 5 X 11.25	
	35	Wheelbase	in (mm)	54.5 (1385)	
	37	Ground Clearance, Lowest Point NL (with RL subtract -6mm)	in (mm)	3.6 (92)	
	38	Ground Clearance, Center of Wheelbase NL	in (mm)	4.2 (107)	
	39	Service Brake - Method of Control/Operation		Foot/Hydraulic	
40	Parking Brake - Method of Control/Operation		Hand/Mechanical		
POWERTRAIN	41	Battery Type		Maintenance Free	
	42	Volts/Cold Cranking Amps	v/cca	12/440	
	43	Engine, Manufacturer/Model		PSI 2.0L	
	44	Permanent Output @ Rated RPM	hp (kW)	44 (33) @ 2400 RPM	
	45	Torque @ Rated RPM	ft/lbs (kg/m)	100 (13.9) @ 1300 RPM	
	46	Number of Cylinders/Displacement	No/cc (ci)	4/1997 (122)	
		Standard Speeds, Forward - Reverse		1-1	
	49	Hydraulic Tank - capacity (drain & refill)	gal (liter)	8.3 (31.4)	
	50	Fuel Tank Capacity (Non LP Units Only)	gal (liter)	10.2 (38.8)	
	51	Auxiliary Hydraulic Pressure Relief for Attachments	PSI (Mpa)	2250 (15.4)	

Above specifications, unless otherwise listed, are for a standard truck without optional equipment.

Right Angle Stack and Equal Intersecting Aisle are calculated using a 40" wide pallet.

CERTIFICATION: Hyster lift trucks meet the design and construction requirements of B56.1-1969, per OSHA Section 1910.178(a)(2), and also comply with the B56.1 revision in effect at time of manufacture. Certification of compliance with the applicable ANSI standards appears on the lift truck.

† NOTE: Performance specifications / ratings are for truck equipped as described under Standard Equipment in this Technical Guide. Performance specifications are affected by the condition of the vehicle and how it is equipped, as well as by the nature and condition of the operating area. Specifications are subject to change and the proposed application should be discussed with your authorized Hyster Company Dealer.

†† Limited by traction. For further information on this dimension, please contact your local Hyster® dealer.

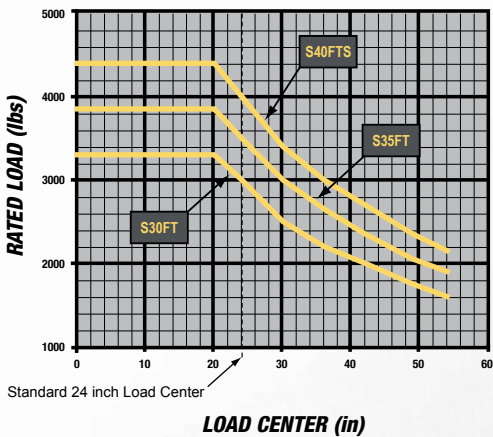
MAST SPECIFICATIONS & RATED CAPACITIES



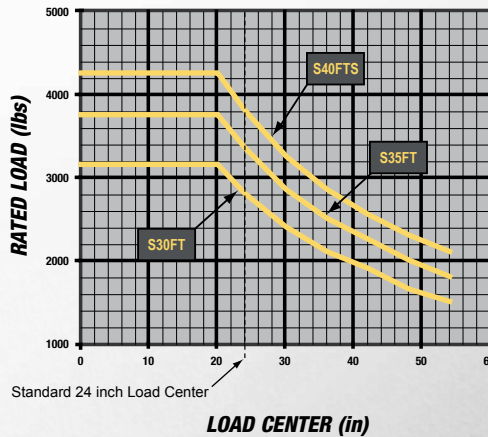
S30-40FT MAST DIMENSIONS								
Max. Fork Ht. (TOF) †	Overall Lowered Ht.	Overall Extended Height		Free lift (TOF)		Approx. Total Weight of Std. Equipped Truck w/o Load		
		with LBR	w/o LBR	with LBR	w/o LBR	S30FT	S35FT	S40FTS
in (mm)	in (mm)	in (mm)	in (mm)	in (mm)	in (mm)	lbs (kg)	lbs (kg)	lbs (kg)
2-Stage Limited Free Lift (LFL) VISTATM Mast								
83 (2132)	61 (1530)	132(3355)	107 (2706)	5 (140)	5 (140)	5960 (2704)	6394 (2900)	6774 (3073)
127 (3232)	82 (2080)	176 (4455)	150 (3806)	5 (140)	5 (140)	6159 (2794)	6591 (2990)	6971 (3162)
2-Stage Full Free Lift (FFL) VISTATM Mast								
114 (2918)	76 (1930)	164 (4141)	138 (3492)	29 (752)	51 (1306)	6179 (2803)	6611 (2999)	6991 (3171)
126 (3218)	82 (2080)	175 (4441)	150 (3792)	35 (902)	57 (1416)	6236 (2829)	6668 (3024)	7048 (3197)
3-Stage Full Free Lift (FFL) VISTATM Mast								
175 (4450)	78 (1980)	224 (5673)	198 (5019)	31 (802)	53 (1356)	6435 (2919)	6867 (3115)	7247 (3287)
187 (4750)	82 (2080)	236 (5973)	210 (5319)	35 (902)	57 (1456)	6479 (2939)	6911 (3135)	7291 (3307)
198 (5050)	88 (2230)	247 (6273)	222 (5619)	41 (1052)	63 (1606)	6536 (2965)	6968 (3161)	7348 (3333)
216 (5510)	94 (2380)	265 (6723)	239 (6069)	47 (1202)	69 (1756)	6655 (3019)	7087 (3215)	7467 (3387)

† Lift heights over 164.0" (4161 mm) maximum fork height are considered highlifts and require reduced capacity and restricted back tilt. Total approximate weights listed include mast, standard carriage, load backrest and 70 lbs. LPG tank and tank bracket.
 RL = Rated Load NL = No Load LBR = Load Backrest

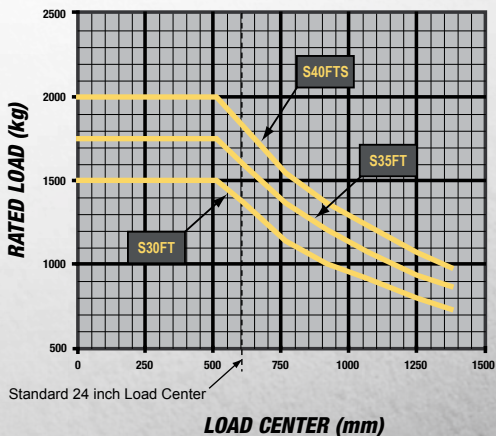
RATED LOAD vs. LOAD CENTER
 STANDARD CARRIAGE
 U. S. CUSTOMARY



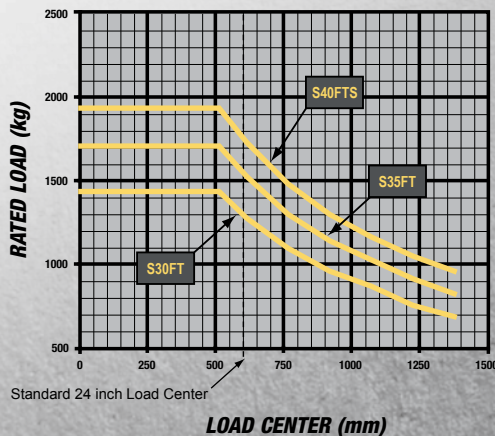
RATED LOAD vs. LOAD CENTER
 INTEGRAL CARRIAGE
 U. S. CUSTOMARY



RATED LOAD vs. LOAD CENTER
 STANDARD CARRIAGE
 METRIC



RATED LOAD vs. LOAD CENTER
 INTEGRAL CARRIAGE
 METRIC



TRUCK CONFIGURATION:

- 3-Stage FFL mast at Highest Non-High Lift (HNHL) 164.0" (4161 mm) Maximum Fork Height (MFH) for S30-40FT.
- 36.0" (914 mm) Standard carriage with load backrest (LBR).
- Basic truck equipped with the PSI 2.0L LPG engine with single-speed electronic powershift transmission.

> FEATURES AND OPTIONS

STANDARD EQUIPMENT

PSI 2.0L LPG emissions compliant engine
Electronic powershift transmission

- Electronic inching
- Electronic shift control
- Neutral start switch

Anti-restart protection
MONOTROL® pedal
2-Stage limited free lift (LFL) VISTATM mast with maximum fork height of 127" (3232 mm)
35.7" (907 mm) wide hook-type carriage with 48" (1219 mm) tall load backrest
42" (1067 mm) long forks
5 degrees forward and 5 degrees backward mast tilt
3-function valve with cowl-mounted mechanical levers
Integrated dashboard display includes:

- LCD Display:
 - Fuel level
 - Hour meter
 - Coolant temp
 - Clock
 - Messages
- Service Indicator Lights:
 - Alternator
 - Transmission oil temperature
 - Engine oil pressure
 - Brake fluid level
 - Fasten seat belt
 - Low fuel level
 - Engine malfunction
 - System malfunction
 - Park brake
 - Water temp
 - Forward, reverse and neutral direction indicators

Hydrostatic power steering
Non-suspension vinyl seat
Electronic horn
Adjustable steer column
Rubber floor mat
High air intake
Integral tie downs
Operator restraint system
Anti-clog radiator
Single pedal inch brake
Hyster Stability System (HSS®)
Swing-out LPG tank bracket
83" (2088 mm) Overhead guard
12 months / 2,000 hours manufacturer's warranty
12 months / 4,000 hours manufacturer's powertrain warranty
Operator's manual
UL Classification LP

OPTIONAL EQUIPMENT

DuraMatch™ Transmission

- Auto deceleration system
- Controlled power reversal feature
- Controlled rollback on ramps

Powertrain protection system
Premium electronic monitoring
High air intake with precleaner
Keyless start (with auxiliary key switch)
TouchPoint electro-hydraulic control with adjustable armrest
80" (2021 mm) short overhead guard
Rear drive handle with horn button
Swivel full-suspension seat – vinyl or cloth
Semi-suspension seat - vinyl or cloth
High-visibility non-cinch seat belt with or without interlock
Dual inch brake pedals
Dual side rear view mirrors
EZExchange LPG tank bracket
Password protection
Audible alarm – reverse activated 82-102 dB(A) self-adjusting
Visible alarm amber strobe light - continuous activated, overhead guard mounted
Various light packages:


- Two front and one rear halogen or LED work lights
- Two front, one rear halogen or LED work light and two brake/tail/back-up high intensity LED lights

Parts publications - printed or CD, serial number specific
UL Classification LPS
Integral sideshifting fork positioner
Various tread widths available
Operator pre-shift checklist
Load weight display
Impact monitor
Integral sideshifter



Hyster Company
P.O. Box 7006
Greenville, North Carolina
27835-7006
Part No. S30-40FTS/TG
4/2017 Litho in U.S.A.

Visit us online at www.hyster.com or call us at **1-800-HYSTER-1**.

Hyster, , and STRONG PARTNERS. TOUGH TRUCKS. and MONOTROL are registered trademarks in the United States and certain other jurisdictions. Hyster products are subject to change without notice.

Trucks may be shown with optional equipment. © 2017 Hyster Company. All rights reserved.