

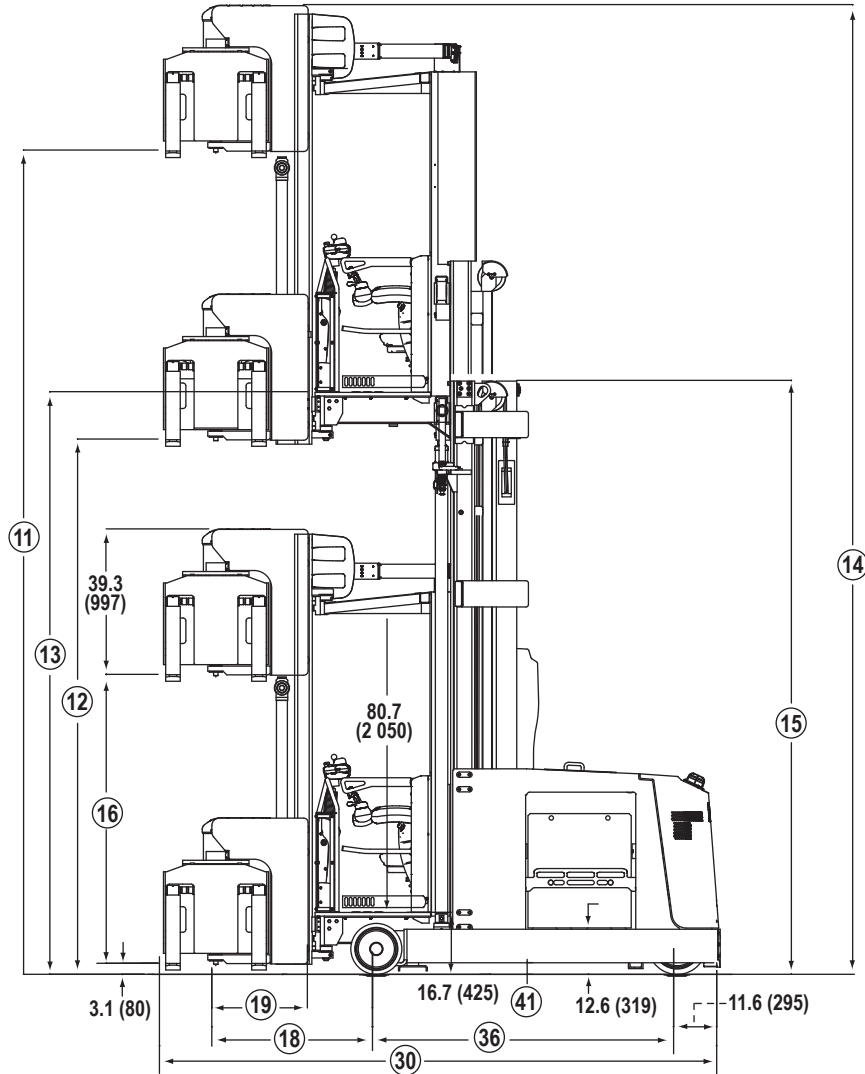
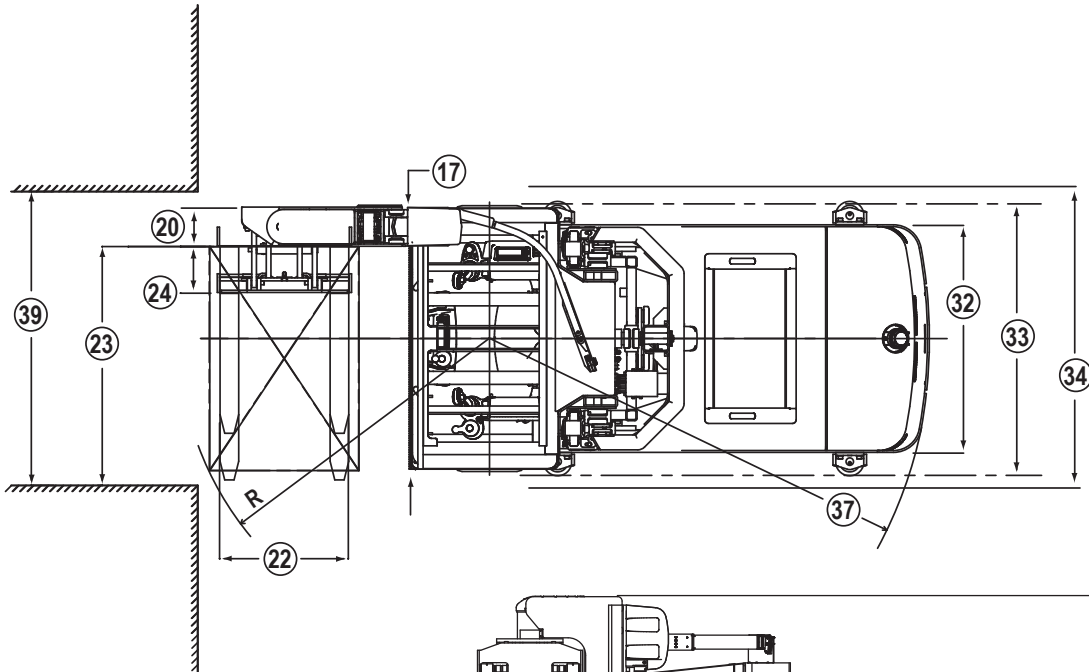
V30-35ZMU SERIES



VERY NARROW AISLE TURRET TRUCK
PRODUCT TECHNICAL GUIDE



DIMENSIONS



Circled dimensions correspond to the line numbers on the tabulated chart inside the technical guide. Dimensions are in inches (millimeters).

V30ZMU SPECIFICATIONS

		Hyster			
GENERAL	1	Manufacturer	Hyster		
	2	Model	V30ZMU		
	3	Operator type	Man-up turret - sit or stand operation		
	4	Model configuration	Wheel base designation		
	5	Capacity	Medium WB	Long WB	
	6	Load center	lb (kg)	3,000 (1360)	
	7	Power type	Distance	24 (610)	
	8	Tire type	Power type	Electric - 48 volt	
	9	Wheels	Number (x=drive), front/rear	Polyurethane/polyurethane	
	10	Mast type		2/1x	
DIMENSIONS	17	Attachment	Tri-Form		
	18	Traverse frame widths	in (mm)	47.2/55.1/61.0/66.9 (1200/1400/1500/1700)	
	19	Distance, rotator C/L to load wheel C/L, 2-stg/3-stg	in (mm)	43.3/46.3 (1101/1177)	
	20	Pivot boom length	in (mm)	26.4 (670)	
	21	Pivot boom thickness (lost rotator width)	in (mm)	8.3 (210)	
	22	Fork carriage width	in (mm)	28.3 (720)	
	23	Fork spread adjustment (outside-outside dimension), min/max	in (mm)	20.0/28.3 (508/720)	
	24	Traverse stroke	in (mm)	40/46.8/52.7/57.7 (990/1190/1340/1490)	
	25	Reach carriage stroke (pantograph)	in (mm)	4/5/6/8/10 (102/127/152/203/254)	
	26	Cab width	in (mm)	47.2/55.1/61/66.9 (1200/1400/1500/1700)	
	27	Cab depth (front of cab to operator seat back)	in (mm)	34.2 (870)	
	28	Forks	Thickness x width x length	1.75 x 4 x 42 (45 x 100 x 1066)	
	29	Type		Pin	
	30	Truck length	Headlength (chassis length to face of traverse frame), 2-stg/3-stg	in (mm)	105/108 (2669/2745)
	31	Overall truck length with tucked forks (no load), 2-stg/3-stg	in (mm)	145.6/148.6 (3698/3774)	
	32	Length to face of forks (forks forward), 2-stg/3-stg	in (mm)	135.6/138.6 (3444/3520)	
	33	Overall dimensions	Frame width	in (mm)	48 (1220)
	34	Basewidth (width across load wheels)	in (mm)	48/56/62/68 (1220/1425/1575/1725)	
	35	Width across guide rollers	in (mm)	48/56/62/68 (1220/1425/1575/1725)	
	36	Top of fork - mast lowered	in (mm)	50.2/58/64/69.9 (1275/1475/1625/1775)	
	37	Wheelbase	in (mm)	3.1 (80)	
	38	Turning radius	in (mm)	76.5 (1943)	
	39	Transfer aisle	Minimum turning radius	in (mm)	81.2 (2063)
	40	Clear aisle width	Minimum transfer aisle with tucked load, 2-stg/3-stg	in (mm)	88.6 (2250)
	41	Ground clearance	With pallet on forks, 2-stg/3-stg	in (mm)	171.3 (4352)/175.7 (4462)
	42	Lowest point (no load)	in (mm)	176.0 (4472)/180.4 (4582)	
	43	Center of wheelbase (no load)	in (mm)	Contact Sales	
	44	Total approx. weight	Standard truck (without battery)	lb (kg)	14,740 (6701)
	45	Axle loading	Static with rated load and standard mast (standard truck), front/rear	lb (kg)	15,475 (7034)
	46	Speed - travel	Travel speed, RL/NL	mph	6.5/6.5
	47	Lift speed	Main mast, RL/NL	fpm	65/83
	48	Lower speed	Auxiliary mast, RL/NL	fpm	69/77
	49	Attachment speed	Main mast, RL/NL	fpm	98/98
	50	Gradeability	Auxiliary mast, RL/NL	fpm	79/77
	51	Brakes	Traverse speed RL/NL	in per sec	7.5/7.9
52	Method of operation	Rotate speed (full 180 degree rotation), maximum speed	sec	6*	
53	Service brakes	Maximum gradeability, RL ††	%	6	
54	Tire type	Electric/mechanical			
55	Wheels	Plugging			
56	Tire size	Load/drive			
57	Tire size	Drive wheel, rear	in (mm)	15.75 x 6.3 (400 x 160)	
58	Battery type	Battery type		16 x 7 (406 x 178)	
59	Volts/max ampere hours	Volts/max ampere hours	V/AH	48/1085	
60	Weight, minimum	Weight, minimum	lb (kg)	2,976 (1350)	
61	Connector style on truck	Connector style on truck		3,087 (1400)	
62	Recommended battery lead length and connector position	Recommended battery lead length and connector position		Blue SB 350	
63	Battery sizes (with optional spacer groups), length/width	Battery sizes (with optional spacer groups), length/width	in	44.2 x 20.8	
64	Battery sizes (with optional spacer groups), length/width	Battery sizes (with optional spacer groups), length/width	in	38.7 x 23.8	
65	Battery sizes (with optional spacer groups), length/width	Battery sizes (with optional spacer groups), length/width	in	38.7 x 27	
66	Electric motors	Drive motor rating (s2 - 60 minimum rating)	kw	7.5	
67	Hoist motor rating (s3 - 25% duty cycle rating)	Hoist motor rating (s3 - 25% duty cycle rating)	kw	2 x 12	
68	Drive motor control	Drive motor control		AC - MOSFET	
69	Hoist motor control	Hoist motor control		AC - MOSFET	

CERTIFICATION: These Hyster® lift trucks meet the design and construction requirements of B56.1-1969, per OSHA Section 1910.178(a)(2), and also comply with the B56.1 revision in effect at time of manufacture.

† **NOTE:** Performance specifications/ratings are for truck equipped as described under standard equipment in this technical guide. Performance specifications are affected by the condition of the vehicle and how it is equipped, as well as by the nature and condition of the operating area. Specifications are subject to change and the proposed application should be discussed with your authorized Hyster Company Dealer.

†† Limited by traction. For further information on this dimension, please contact your local Hyster Company dealer.

* Performance adjustable per application - factory default speed set at 7.7 seconds.

** Optional with Hyster Power Collect™

V35ZMU SPECIFICATIONS

		Hyster				
GENERAL	1	Manufacturer	Hyster			
	2	Model	V35ZMU			
	3	Operator type	Man-up turret - sit or stand operation			
	4	Model configuration	Wheel base designation	Short WB	Medium WB	Long WB
	5	Capacity	lb (kg)	3,500 (1590)		
	6	Load center	Distance	24 (610)		
	7	Power type		Electric - 72 volt		
	8	Tire type		Polyurethane/polyurethane		
	9	Wheels	Number (x=drive), front/rear	2/1x		
	10	Mast type		Tri-form	Quad-form	
DIMENSIONS	17	Attachment	Traverse frame widths	in (mm) 47.2/55.1/61.0/66.9 (1200/1400/1500/1700)		
	18		Distance, rotator C/L to load wheel C/L, 2-stg/3-stg	43.3/46.3 (1101/1177)		43.3/49.3 (1101/1251)
	19		Pivot boom length	in (mm) 26.4 (670)		
	20		Pivot boom thickness (lost rotator width)	in (mm) 8.3 (210)		
	21		Fork carriage width	in (mm) 28.3 (720)		
	22		Fork spread adjustment (outside-outside dimension), min/max	in (mm) 20.0/28.3 (508/720)		
	23		Traverse stroke	in (mm) 40/46.8/52.7/57.7 (990/1190/1340/1490)		
	24		Reach carriage stroke (pantograph)	in (mm) 4/5/6/8/10 (102/127/152/203/254)		
	25	Cab	Cab width	in (mm) 47.2/55.1/61/66.9 (1200/1400/1500/1700)		
	26		Cab depth (front of cab to operator seat back)	in (mm) 34.2 (870)		
	27	Forks	Thickness x width x length	in (mm) 1.75 x 4 x 42 (45 x 100 x 1066)		
	28		Type	Pin		
	29	Truck length	Headlength (chassis length to face of traverse frame), 2-stg/3-stg	in (mm) 109.8/112.8 (2789/2865)	114.9/120.8 (2919/3069)	122.6/128.5 (3114/3264)
	30		Overall truck length with tucked forks (no load), 2-stg/3-stg	in (mm) 150.3/153.3 (3818/3894)	155.4/161.3 (3948/4098)	163.1/168 (4143/4293)
	31		Length to face of forks (forks forward), 2-stg/3-stg	in (mm) 135.6/138.6 (3444/3520)		
	32	Overall dimensions	Frame width	in (mm) 48 (1220)		
	33		Basewidth (width across load wheels)	in (mm) 48/56/62/68 (1220/1425/1575/1725)		
	34		Width across guide rollers	in (mm) 50.2/58/64/69.9 (1275/1475/1625/1775)		
	35		Top of fork - mast lowered	in (mm) 3.1 (80)		
	36	Wheelbase		in (mm) 81.2 (2063)	86.3 (2193)	94 (2388)
	37	Turning radius	Minimum turning radius	in (mm) 93.3 (2370)	98.2 (2495)	105.7 (2685)
	38	Transfer aisle	Minimum transfer aisle with tucked load, 2-stg/3-stg	in (mm) 176.0 (4472)/180.4 (4582)	181.0 (4597)/186.9 (4797)	188.4 (4787)/192.8 (4897)
	39	Clear aisle width	With pallet on forks, 2-stg/3-stg	in (mm) Contact Sales		
	40	Ground clearance	Lowest point (no load)	in (mm) 1.75 (45)		
	41		Center of wheelbase (no load)	in (mm) 2.9 (75)		
	42	Total approx. wt.	Standard truck (without battery)	lb (kg) 15,744 (7170)	16,907 (7685)	17,426 (7921)
	43	Axle loading	Static w/rated load and standard mast (std. truck), front/rear	lb (kg) 13,913/5,161 (6324/2346)	14,491/5,716 (6587/2598)	14,738/5,988 (6699/2722)
	44	Speed - travel	Travel speed, RL/NL	mph 6.5/6.5		
	45	Lift speed	Main mast, RL/NL	fpm 69/79		
	46		Auxiliary mast, RL/NL	fpm 69/77		
	47	Lower speed	Main mast, RL/NL	fpm 118/118		
	48		Auxiliary mast, RL/NL	fpm 79/77		
	49	Attachment speed	Traverse speed RL/NL	in per sec 7.5/7.9		
	50		Rotate speed (full 180 degree rotation), maximum speed	sec 6*		
	51	Gradeability	Maximum gradeability, RL ††	% 6		
	52	Brakes	Service brakes	Electric/mechanical		
53		Method of operation	Plugging			
54	Tire type	Load/drive	Polyurethane/polyurethane			
55	Wheels	Number (x=drive), front/rear	2/1x			
56	Tire size	Load wheels, front	in (mm) 13.78 x 5.5 (350 x 140)			
57	Tire size	Drive wheel, rear	in (mm) 16 x 7 (406 x 178)			
58	Battery	Battery type	Lead acid Thin Plate Pure Lead** Lithium-ion**			
59		Volts/max ampere hours	v/ah 72/775	72/930	72/1240	
60		Weight, minimum	lb (kg) 3,307 (1500)	4,079 (1850)	4,189 (1900)	
61		Connector style on truck	Green SB 350			
62		Recommended battery lead length and connector position	30" position B			
63		Battery sizes (with optional spacer groups), length/width	in 38.3 x 13.5 (x 2 - 36V battery)	38.1 x 15.8 (x 2 - 36V battery)	38.3 x 17.9 (x 2 - 36V battery)	
64		Battery sizes (with optional spacer groups), length/width	in 37.9 x 14.0 (x 2 - 36V battery)	37.9 x 15.5 (x 2 - 36V battery)	38.7 x 20.4 (x 2 - 36V battery)	
65		Battery sizes (with optional spacer groups), length/width	in 38.3 x 26.7 (Single 72V battery)	----	38.3 x 20.1 (x 2 - 36V battery)	
66	Electric motors	Drive motor rating (s2 - 60 minimum rating)	kw 7.5			
67		Hoist motor rating (s3 - 25% duty cycle rating)	kw 2 x 15			
68		Drive motor control	AC - MOSFET			
69		Hoist motor control	AC - MOSFET			

CERTIFICATION: These Hyster® lift trucks meet the design and construction requirements of B56.1-1969, per OSHA Section 1910.178(a)(2), and also comply with the B56.1 revision in effect at time of manufacture.

† **NOTE:** Performance specifications/ratings are for truck equipped as described under standard equipment in this technical guide. Performance specifications are affected by the condition of the vehicle and how it is equipped, as well as by the nature and condition of the operating area. Specifications are subject to change and the proposed application should be discussed with your authorized Hyster Company Dealer.

†† Limited by traction. For further information on this dimension, please contact your local Hyster Company dealer.

* Performance adjustable per application - factory default speed set at 7.7 seconds.

** Optional with Hyster Power Collect™

MAST DIMENSIONS: V30ZMU-MWB, V30ZMU-LWB, V35ZMU-SW

Maximum fork height* (Top of forks) in (mm)	Overall lowered height in (mm)	Overall extended height in (mm)	Main lift maximum fork height in (mm)	Free-lift (TOF) in (mm)	Operator orderpicking height in (mm)	Operator platform height maximum in (mm)
2-STAGE TRI-FORM MAST DIMENSIONS						
232.3 (5,900)	118.1 (3,000)	271.1 (6,887)	148.0 (3,760)	84.3 (2,140)	220 (5,588)	160.8 (4,085)
255.9 (6,500)	129.5 (3,290)	294.8 (7,487)	171.6 (4,360)	84.3 (2,140)	244 (6,198)	184.4 (4,685)
279.5 (7,100)	141.3 (3,590)	318.4 (8,087)	195.3 (4,960)	84.3 (2,140)	268 (6,807)	208.1 (5,285)
302.4 (7,680)	141.3 (3,590)	341.2 (8,667)	195.3 (4,960)	107.1 (2,720)	268 (6,807)	208.1 (5,285)
302.1 (7,700)	153.1 (3,890)	342.0 (8,687)	218.9 (5,560)	84.3 (2,140)	291 (7,391)	231.7 (5,885)
326.8 (8,300)	164.9 (4,190)	365.6 (9,287)	242.5 (6,160)	84.3 (2,140)	315 (8,001)	255.3 (6,485)
337.0 (8,560)	153.1 (3,890)	375.9 (9,547)	218.9 (5,560)	118.1 (3,000)	291 (7,391)	231.7 (5,885)
350.4 (8,900)	176.8 (4,490)	389.3 (9,887)	266.1 (6,760)	84.3 (2,140)	339 (8,611)	278.9 (7,085)
360.6 (9,160)	164.9 (4,190)	399.5 (10,147)	242.5 (6,160)	118.1 (3,000)	315 (8,001)	255.3 (6,485)
374.0 (9,500)	188.6 (4,790)	412.9 (10,487)	289.8 (7,360)	84.3 (2,140)	362 (9,195)	302.6 (7,685)
381.9 (9,700)	192.5 (4,890)	420.7 (10,687)	297.6 (7,560)	84.3 (2,140)	370 (9,398)	310.4 (7,885)
384.3 (9,760)	176.8 (4,490)	423.1 (10,747)	266.1 (6,760)	107.1 (2,720)	339 (8,611)	278.9 (7,085)
396.9 (10,080)	206.3 (5,240)	435.7 (11,067)	312.6 (7,940)	84.3 (2,140)	385 (9,779)	325.4 (8,265)
407.9 (10,360)	188.6 (4,790)	446.7 (11,347)	289.8 (7,360)	118.1 (3,000)	362 (9,195)	302.6 (7,685)
2-STAGE TRI-FORM MAST DIMENSIONS - AVAILABLE ONLY ON V30ZMU-LWB AND V35ZMU-SWB						
408.7 (10,380)	212.2 (5,390)	447.5 (11,367)	324.4 (8,240)	84.3 (2,140)	397 (10,084)	337.2 (8,565)
415.7 (10,560)	192.5 (4,890)	454.6 (11,547)	297.6 (7,560)	118.1 (3,000)	370 (9,398)	310.4 (7,885)
420.5 (10,680)	218.1 (5,540)	459.3 (11,667)	336.2 (8,540)	84.3 (2,140)	409 (10,389)	349.0 (8,865)
430.7 (10,940)	206.3 (5,240)	469.6 (11,927)	312.6 (7,940)	118.1 (3,000)	385 (9,779)	325.4 (8,265)
436.2 (11,080)	226.0 (5,740)	475.1 (12,067)	352.0 (8,940)	84.3 (2,140)	424 (10,770)	364.8 (9,265)
442.5 (11,240)	212.2 (5,390)	481.4 (12,227)	324.4 (8,240)	118.1 (3,000)	397 (10,084)	337.2 (8,565)
454.3 (11,540)	218.1 (5,540)	493.2 (12,527)	336.2 (8,540)	118.1 (3,000)	409 (10,389)	349.0 (8,865)
455.9 (11,580)	235.8 (5,990)	494.8 (12,567)	371.7 (9,440)	84.3 (2,140)	444 (11,278)	384.4 (9,765)
463.8 (11,780)	239.8 (6,090)	502.6 (12,767)	379.5 (9,640)	84.3 (2,140)	452 (11,481)	392.3 (9,965)
470.0 (11,940)	226.0 (5,740)	508.9 (12,927)	352.0 (8,940)	118.1 (3,000)	424 (10,770)	364.8 (9,265)
475.6 (12,080)	245.7 (6,240)	514.4 (13,067)	391.3 (9,940)	84.3 (2,140)	464 (11,786)	404.1 (10,265)
489.8 (12,440)	235.8 (5,990)	528.6 (13,427)	371.7 (9,440)	118.1 (3,000)	444 (11,278)	384.4 (9,765)
491.3 (12,480)	253.5 (6,440)	530.2 (13,467)	407.1 (10,340)	84.3 (2,140)	479 (12,167)	419.9 (10,665)
497.6 (12,640)	239.8 (6,090)	536.5 (13,627)	379.5 (9,640)	118.1 (3,000)	452 (11,481)	392.3 (9,965)
509.4 (12,940)	245.7 (6,240)	548.3 (13,927)	391.3 (9,940)	118.1 (3,000)	464 (11,786)	404.1 (10,265)
525.2 (13,340)	253.5 (6,440)	564.1 (14,327)	407.1 (10,340)	118.1 (3,000)	479 (1,167)	419.9 (10,665)
3-STAGE TRI-FORM MAST DIMENSIONS						
227.9 (5,790)	118.1 (3,000)	266.8 (6,777)	143.7 (3,650)	84.3 (2,140)	216 (5,486)	156.5 (3,975)
250.8 (6,370)	141.1 (3,585)	289.6 (7,357)	143.7 (3,650)	107.1 (2,720)	216 (5,486)	156.5 (3,975)
280.3 (7,120)	141.1 (3,585)	319.2 (8,107)	173.2 (4,400)	107.1 (2,720)	246 (6,248)	186.0 (4,725)
320.9 (8,150)	152.2 (3,865)	359.7 (9,137)	202.8 (5,150)	118.1 (3,000)	275 (6,985)	215.6 (5,475)
350.4 (8,900)	152.2 (3,865)	389.3 (9,887)	232.3 (5,900)	118.1 (3,000)	305 (7,747)	245.1 (6,225)
368.9 (9,370)	141.1 (3,585)	407.8 (10,357)	261.8 (6,650)	107.1 (2,720)	334 (8,484)	274.6 (6,975)
375.6 (9,540)	147.2 (3,740)	414.4 (10,527)	291.3 (7,400)	84.3 (2,140)	364 (9,246)	304.1 (7,725)
405.1 (10,290)	157.1 (3,990)	440.0 (11,277)	320.9 (8,150)	84.3 (2,140)	393 (9,982)	333.7 (8,475)
409.5 (10,400)	152.2 (3,865)	448.3 (11,387)	291.3 (7,400)	118.1 (3,000)	364 (9,246)	304.1 (7,725)
3-STAGE TRI-FORM MAST DIMENSIONS - AVAILABLE ONLY ON V30ZMU-LWB AND V35ZMU-SWB						
434.6 (11,040)	166.9 (4,240)	473.5 (12,027)	350.4 (8,900)	84.3 (2,140)	423 (10,744)	363.2 (9,225)
439.0 (11,150)	157.1 (3,990)	477.8 (12,137)	320.9 (8,150)	118.1 (3,000)	393 (9,982)	333.7 (8,475)
464.2 (11,790)	176.8 (4,490)	503.0 (12,777)	379.9 (9,650)	84.3 (2,140)	452 (11,481)	392.7 (9,975)
468.5 (11,900)	166.9 (4,240)	507.4 (12,887)	350.4 (8,900)	118.1 (3,000)	423 (10,744)	363.2 (9,225)
493.7 (12,540)	186.6 (4,740)	532.6 (13,527)	409.4 (10,400)	84.3 (2,140)	482 (12,243)	422.2 (10,725)
498.0 (12,650)	176.8 (4,490)	536.9 (13,637)	379.9 (9,650)	118.1 (3,000)	452 (11,481)	392.7 (9,975)
527.6 (13,400)	186.6 (4,740)	566.4 (14,387)	409.4 (10,400)	118.1 (3,000)	482 (12,243)	422.2 (10,725)

MWB = medium wheel base ; LWB = long wheel base
 * Maximum fork height = main lift + free lift

MAST DIMENSIONS: V35ZMU-MWB, V35ZMU-LWB

Maximum fork height* (Top of forks)	Overall lowered height	Overall extended height	Main lift maximum Fork height	Free-lift (TOF)	Operator orderpicking height	Operator platform height maximum
in (mm)	in (mm)	in (mm)	in (mm)	in (mm)	in (mm)	in (mm)
2-STAGE QUAD-FORM MAST DIMENSIONS						
219.7 (5,580)	118.1 (3,000)	258.5 (6,567)	135.4 (3,440)	84.3 (2,140)	208 (5,283)	148.2 (3,765)
239.4 (6,080)	127.6 (3,240)	278.2 (7,067)	155.1 (3,940)	84.3 (2,140)	227 (5,766)	167.9 (4,265)
259.1 (6,580)	137.4 (3,490)	297.9 (7,567)	174.8 (4,440)	84.3 (2,140)	247 (6,274)	187.6 (4,765)
281.9 (7,160)	141.1 (3,585)	320.7 (8,147)	174.8 (4,440)	107.1 (2,720)	247 (6,274)	187.6 (4,765)
301.6 (7,660)	147.2 (3,740)	340.4 (8,647)	194.5 (4,940)	107.1 (2,720)	267 (6,782)	207.3 (5,265)
318.1 (8,080)	166.9 (4,240)	357.0 (9,067)	233.9 (5,940)	84.3 (2,140)	306 (7,772)	246.7 (6,265)
332.3 (8,440)	157.1 (3,990)	371.1 (9,427)	214.2 (5,440)	118.1 (3,000)	287 (7,290)	227.0 (5,765)
340.9 (8,660)	166.9 (4,240)	397.8 (9,647)	233.9 (5,940)	107.1 (2,720)	306 (7,772)	246.7 (6,265)
360.6 (9,160)	176.8 (4,490)	399.5 (10,147)	253.5 (6,440)	107.1 (2,720)	326 (8,280)	266.3 (6,765)
371.7 (9,440)	176.8 (4,490)	410.5 (10,427)	253.5 (6,440)	118.1 (3,000)	326 (8,280)	266.3 (6,765)
380.3 (9,660)	186.6 (4,740)	419.2 (10,647)	273.2 (6,940)	107.1 (2,720)	346 (8,788)	286.0 (7,265)
391.3 (9,940)	186.6 (4,740)	430.2 (10,927)	273.2 (6,940)	118.1 (3,000)	346 (8,788)	286.0 (7,265)
400.0 (10,160)	196.5 (4,990)	439.9 (11,147)	292.9 (7,740)	107.1 (2,720)	365 (9,271)	305.7 (7,765)
408.7 (10,380)	212.2 (5,390)	447.5 (11,367)	324.4 (8,240)	84.3 (2,140)	397 (10,084)	337.2 (8,565)
411.0 (10,440)	196.5 (4,990)	449.9 (11,427)	292.9 (7,740)	118.1 (3,000)	365 (9,271)	305.7 (7,765)
419.7 (10,660)	206.3 (5,240)	458.5 (11,647)	312.6 (7,940)	107.1 (2,720)	385 (9,779)	325.4 (8,265)
431.5 (10,960)	212.2 (5,390)	470.4 (11,947)	324.4 (8,240)	107.1 (2,720)	397 (10,084)	337.2 (8,565)
442.5 (11,240)	212.2 (5,390)	481.4 (12,227)	324.4 (8,240)	118.1 (3,000)	397 (10,084)	337.2 (8,565)
459.1 (11,660)	226.0 (5,740)	497.9 (12,647)	352.0 (8,940)	107.1 (2,720)	424 (10,770)	364.8 (9,265)
470.1 (11,940)	226.0 (5,740)	508.9 (12,927)	352.0 (8,940)	118.1 (3,000)	424 (10,770)	364.8 (9,265)
478.7 (12,160)	235.8 (5,990)	517.6 (13,147)	371.6 (9,440)	107.1 (2,720)	444 (11,278)	384.4 (9,765)
489.8 (12,440)	235.8 (5,990)	528.6 (13,427)	371.6 (9,440)	118.1 (3,000)	444 (11,278)	384.4 (9,765)
509.4 (12,940)	245.7 (6,240)	548.3 (13,927)	391.3 (9,940)	118.1 (3,000)	464 (11,786)	404.1 (10,265)
2-STAGE QUAD-FORM MAST DIMENSIONS - AVAILABLE ONLY ON V35ZMU-LWB						
514.2 (13,060)	253.5 (6,440)	553.0 (14,047)	407.1 (10,340)	107.1 (2,720)	479 (12,167)	419.9 (10,665)
525.2 (13,340)	253.5 (6,440)	564.1 (14,327)	407.1 (10,340)	118.1 (3,000)	479 (12,167)	419.9 (10,665)
3-STAGE QUAD-FORM MAST DIMENSIONS						
279.9 (7,110)	118.1 (3,000)	318.8 (8,097)	195.7 (4,970)	84.3 (2,140)	268 (6,807)	208.5 (5,295)
309.4 (7,860)	127.6 (3,240)	348.3 (8,847)	225.2 (5,720)	84.3 (2,140)	298 (7,569)	238.0 (6,045)
313.8 (7,970)	152.2 (3,865)	352.6 (8,957)	195.7 (4,970)	118.1 (3,000)	268 (6,807)	208.5 (5,295)
332.3 (8,440)	141.1 (3,585)	371.1 (9,427)	225.2 (5,720)	107.1 (2,720)	298 (7,569)	238.0 (6,045)
343.3 (8,720)	152.2 (3,865)	382.2 (9,707)	225.2 (5,720)	118.1 (3,000)	298 (7,569)	238.0 (6,045)
361.8 (9,190)	141.1 (3,585)	400.7 (10,177)	254.7 (6,470)	107.1 (2,720)	327 (8,306)	267.5 (6,795)
372.8 (9,470)	152.2 (3,865)	411.7 (10,457)	254.7 (6,470)	118.1 (3,000)	327 (8,306)	267.5 (6,795)
391.3 (9,940)	147.2 (3,740)	430.2 (10,927)	284.3 (7,220)	107.1 (2,720)	357 (9,068)	297.0 (7,545)
402.4 (10,220)	152.2 (3,865)	441.2 (11,207)	284.3 (7,220)	118.1 (3,000)	357 (9,068)	297.0 (7,545)
420.9 (10,690)	157.1 (3,990)	459.7 (11,677)	313.8 (7,970)	107.1 (2,720)	386 (9,804)	326.6 (8,295)
427.6 (10,860)	166.9 (4,240)	466.4 (11,847)	343.3 (8,720)	84.3 (2,140)	416 (10,566)	356.1 (9,045)
431.9 (10,970)	157.1 (3,990)	470.7 (11,957)	313.8 (7,970)	118.1 (3,000)	386 (9,804)	326.6 (8,295)
450.4 (11,440)	166.9 (4,240)	489.3 (12,427)	343.3 (8,720)	107.1 (2,720)	416 (10,566)	356.1 (9,045)
461.4 (11,720)	166.9 (4,240)	500.3 (12,707)	343.3 (8,720)	118.1 (3,000)	416 (10,566)	356.1 (9,045)
479.9 (12,190)	176.8 (4,490)	518.8 (13,177)	372.8 (9,470)	107.1 (2,720)	445 (11,303)	385.6 (9,795)
490.9 (12,470)	176.8 (4,490)	529.8 (13,457)	372.8 (9,470)	118.1 (3,000)	445 (11,303)	385.6 (9,795)
509.4 (12,940)	186.6 (4,740)	548.3 (13,927)	402.4 (10,220)	107.1 (2,720)	475 (12,065)	415.2 (10,545)
516.1 (13,110)	196.5 (4,990)	555.0 (14,097)	431.9 (10,970)	84.3 (2,140)	504 (12,802)	444.7 (11,295)
520.5 (13,220)	186.6 (4,740)	559.3 (14,207)	402.4 (10,220)	118.1 (3,000)	475 (12,065)	415.2 (10,545)
539.0 (13,690)	196.5 (4,990)	577.8 (14,677)	431.9 (10,970)	107.1 (2,720)	504 (12,802)	444.7 (11,295)
545.7 (13,860)	206.3 (5,240)	584.5 (14,847)	461.4 (11,720)	84.3 (2,140)	534 (13,564)	474.2 (12,045)
550.0 (13,970)	196.5 (4,990)	588.9 (14,957)	431.9 (10,970)	118.1 (3,000)	504 (12,802)	444.7 (11,295)

MWB = medium wheel base ; LWB = long wheel base

* Maximum fork height = main lift + free lift

V35ZMU-MWB, V35ZMU-LWB MAST DIMENSIONS AND BATTERY SPECIFICATIONS

Maximum fork height* (Top of forks)	Overall lowered height	Overall extended height	Main lift maximum fork height	Free-lift (TOF)	Operator orderpicking height	Operator platform height maximum
in (mm)	in (mm)	in (mm)	in (mm)	in (mm)	in (mm)	in (mm)
3-STAGE QUAD-FORM MAST DIMENSIONS - AVAILABLE ONLY ON V35ZMU-LWB						
568.5 (14,440)	206.3 (5,240)	607.4 (15,427)	461.4 (11,720)	107.1 (2,720)	534 (13,564)	474.2 (12,045)
579.5 (14,720)	206.3 (5,240)	618.4 (15,707)	461.4 (11,720)	118.1 (3,000)	534 (13,564)	474.2 (12,045)
3-STAGE QUAD-FORM MAST DIMENSIONS - AVAILABLE ONLY AS SPECIAL ORDER WITH V35ZMU-LWB						
581	219	620	496	84	569	509
591	211	631	473	118	546	486
603	215	642	485	118	558	498
615	222	655	508	107	581	521
627	226	667	520	107	593	533
634	236	674	549	84	622	562
651	234	690	544	107	617	557
668	236	707	549	118	622	562

AUXILIARY MAST SPECIFICATIONS

Free lift	Overall lowered height
in (mm)	in (mm)
84.3 (2,140)	118.1 (3,000)
107.1 (2,720)	141.1 (3,585)
118.1 (3,000)	152.2 (3,865)

BATTERY SPECIFICATIONS

	V30ZMU		V35ZMU		
	in (mm)	in (mm)	in (mm)	in (mm)	in (mm)
	MWB	LWB	SWB	MWB	LWB
Compartment size, L x W x H *	40 x 24 x 37 (1016 x 610 x 940)	40 x 28.7 x 37 (1016 x 730 x 940)	40 x 28.7 x 37 (1016 x 730 x 940)	40 x 33.5 x 37 (1016 x 850 x 940)	40 x 41.5 x 37 (1016 x 1 55 x 940)
Maximum battery size, L x W x H *	44.4 x 21.3 x 31 (1 127 x 540 x 787)	38.7 x 27 x 31 (983 x 686 x 787)	38 x 14 x 31** (965 x 356 x 787)	38.1 x 15.5 x 31** (969 x 403 x 787)	38.7 x 20.4 x 31** (983 x 518 x 787)
Voltage	48	48	72	72	72
Capacity, 6-hr rate (max. AH)	1,085	1,240	775**	930**	1,240**
Capacity, 6-hr rate (max. AH)	54.1	59.5	27.9	33.5	59.5
Weight, minimum	2,976 (1,350)	3,087 (1,400)	3,307 (1,500)	4,079 (1,850)	4,189 (1,900)
Weight, maximum	3,527 (1,600)	3,968 (1,800)	3,968 (1,800)	4,850 (2,200)	5,842 (2,650)

* Length is measured side to side of truck, width is measured front to back of truck. Trucks use 48 volt blue, 72 volt green battery connector.


** Truck requires two 36 volt batteries of this dimension. Series Jumper not included.

V30-35ZMU FEATURES AND OPTIONS

PERFORMANCE	STD	OPT	OPERATION (continued)	STD	OPT
AC hoist system with regenerative lowering	x		Welded steel frame	x	
Auto deceleration system (ADS)	x		38.4" x 26.8" x 30.9" battery compartment		x
Operator adjustable performance modes (soft, standard, medium, hard)	x		38.7" x 23.6" x 30.9" battery compartment		x
End of aisle slow down		x	38.7" x 23.8" x 30.9" battery compartment		x
End of aisle slow down to stop		x	38.7" x 27.0" x 30.9" battery compartment		x
End of aisle stop		x	37.9" x 14.0" x 30.9" battery compartment (V35ZMU)		x
Wire guidance - 5.25 KHz line frequency	x		38.1" x 15.8" x 30.9" battery compartment (V35ZMU)		x
Wire guidance - 6.25 KHz line frequency		x	38.3" x 13.5" x 30.9" battery compartment (V35ZMU)		x
DRIVE	STD	OPT	38.3" x 17.9" x 30.9" battery compartment (V35ZMU)		x
15.7" x 6.2" polyurethane drive wheel	x		38.3" x 20.1" x 30.9" battery compartment (V35ZMU)		x
13.8" x 5.5" polyurethane load wheels	x		38.7" x 20.4" x 30.9" battery compartment (V35ZMU)		x
LIFT	STD	OPT	38.3" x 15.7" x 30.5" battery compartment (V35ZMU)		x
2-stage tri form construction mast 232" maximum lift height, 119" overall lowered height	x		Long wheel base		x
3-stage tri form construction masts		x	Medium wheel base (V35ZMU)		x
2-stage quad form construction masts (V35ZMU)		x	Key switch start with operator password		x
3-stage quad form construction masts (V35ZMU)		x	Clip board		x
HANDLING	STD	OPT	Hydraulic stabilizers		x
28" carriage with 26" rotator	x		Lexan windshield		x
1.75" x 4" x 42" pin type standard taper forks	x		RF terminal bracket		x
1.50" x 5" x 42" pin type standard taper forks		x	Trash bin & beverage holder		x
1.75" x 4" x 32" pin type standard taper forks		x	47" operator platform width		x
1.75" x 4" x 40" pin type standard taper forks		x	61" operator platform width		x
1.75" x 4" x 47" pin type standard taper forks		x	67" operator platform width		x
Adjustable mechanical stabilizers		x	Front barrier on operator platform		x
Fixed narrow mechanical stabilizers		x	48" chassis width		x
Guide rollers (adds 2" to chassis width)		x	62" chassis width		x
ERGONOMICS	STD	OPT	68" chassis width		x
Rotating seat with auto centering & locking position	x		Hyster Reaction™ wireless access HID prox card reader		x
Seat side controls	x		Hyster Reaction™ wireless access iClass MiFare prox card reader		x
Multi-turn steering	x		Hyster Reaction™ wireless access ISO prox card reader		x
Sit, stand or lean operator positions	x		Hyster Reaction™ wireless monitoring with cellular connectivity		x
Flip-up side rails with gas spring assist and interlock	x		Hyster Reaction™ wireless monitoring with WIFI connectivity		x
Flip-up full-suspension cloth seat with height adjustment	x		Hyster Reaction™ wireless verification		x
Adjustable armrests independent of seat position	x		Audible alarm - reverse direction activated - self-adjusting 82-102 db(a)		x
Anti-fatigue floor mat	x		Motion alarm - forward and reverse operation - self-adjusting 82-102 db(a)		x
Operator fan & dome light - OHG mounted	x		12v DC/DC converter (2.4 Amp)		x
Forward mounted controls		x	24v DC/DC converter (2 amp)		x
Return to center steering		x	Installation assistance package		x
OPERATION	STD	OPT	RFID control system		x
44.2" x 20.8" x 30.9" battery compartment	x		SUPPLEMENTAL	STD	OPT
Medium wheel base	x		English literature pack and labels	x	
38.3" x 26.7" x 30.9" battery compartment (V35ZMU)	x		Operator, parts and service manuals	x	
Short wheel base (V35ZMU)	x		12 months/no hour limit full truck warranty, 36 months/6,000 hours powertrain warranty, 60 months/10,000 hour frame warranty; please see full warranty statement for additional details.	x	
Key switch start	x		Stabilizer label		x
55" operator platform width	x		French literature pack and labels		x
Retractable tether with full body harness	x		Spanish literature pack and labels		x
56" chassis width	x		Multiple extended protection plans (contact warranty department for details)		x
24v DC/DC converter (2 amp)	x		APPEARANCE	STD	OPT
Without battery	x		2-part poly Hyster yellow paint	x	
Without charger	x		CONSTRUCTION	STD	OPT
Fully integrated canbus control system	x		UL classification type "E"	x	
Parking brake with foot switch release	x		Cold store construction (-40° F)		x
Graphics display with real time truck status	x		UL classification type "EE" - includes UL label		x
Battery discharge indicator with lift interrupt	x		VISIBILITY	STD	OPT
Integral multi-mode hour meter	x		Amber led strobe light, continuous operation with key on	x	
Real-time onboard diagnostics	x		Work lights - right and left side	x	
Active thermal management system	x		Flashing amber strobe on motor cover and under operator compartment	x	
Override for forks traverse (in MDU compartment)	x		Wire mesh installed on top of operator compartment		x
Manual lowering valve (in MDU compartment)	x		Lexan overhead guard cover		x
Battery top access door	x		Blue and red spot lights		x
Static discharge strap	x		ENERGY SYSTEM	STD	OPT
Electronic horn	x		Lead acid	x	
Power supply disconnect button	x		Hyster Power Collect™		x
One piece motor compartment cover with gas cylinder assist	x				



Hyster Company
P.O. Box 7006
Greenville, North Carolina
27835-7006

© Hyster Company. 2023, all rights reserved. Hyster and  are trademarks of Hyster-Yale Group, Inc.

Hyster products are subject to change without notice.
Trucks may be shown with optional equipment.